






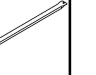
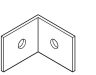


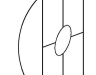




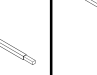
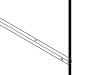


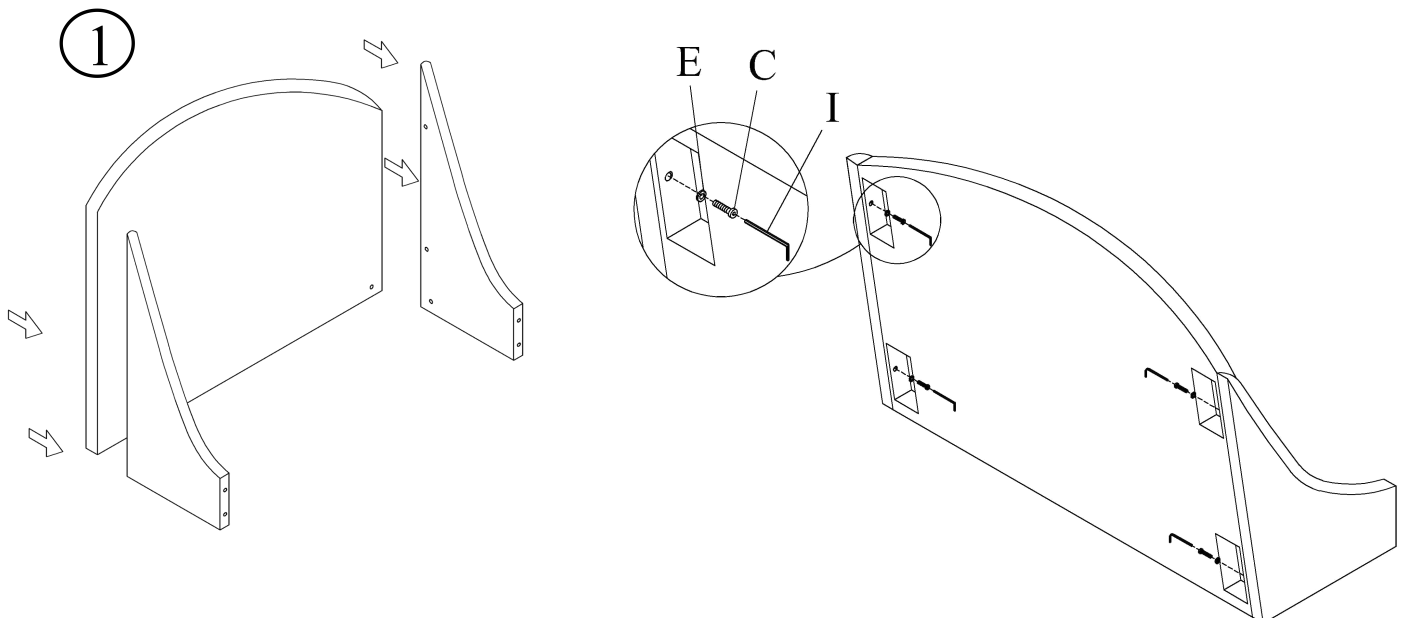


Sienna C/E King Assembly Instructions

Hardware included in side rails carton .

A	B	C	D	E	F	G	H	I	J
									
Φ8 MM	Φ8*30 MM	Φ8*50 MM	Φ6 MM	Φ8 MM	H=15CM	Support Rails			H=19.5 CM
4PCS	4PCS	12PCS	18PCS	20PCS	4PCS	2PCS	2PCS	1PC	10PCS
K	L	M	N	O	P	Q	R	Y	Z
									
Φ8*80 MM		Φ6*25 MM	Φ6*20 MM	Support Rails			Plastic cap		
4PCS	4PCS	10 PCS	8 PCS	2 PCS	2PCS	2 PCS	4 PCS	1PC	4PCS



Step#1

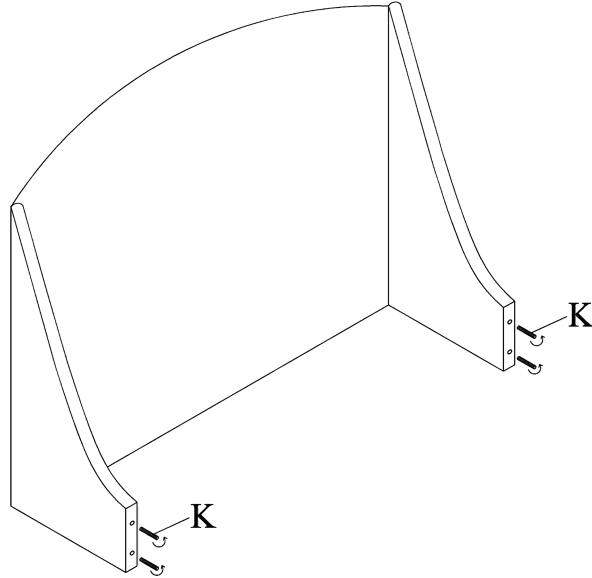
Align the headboard with the wings. Attach wings through Headboard finger tight, using Wrench(I), Bolt (C) and Washer (E).

CONGRATULATIONS ON YOUR NEW BED PURCHASE

~Warning: do not move bed after final assembly as it may result in damages to floor and/or bed.~

Sienna C/E King Assembly Instructions

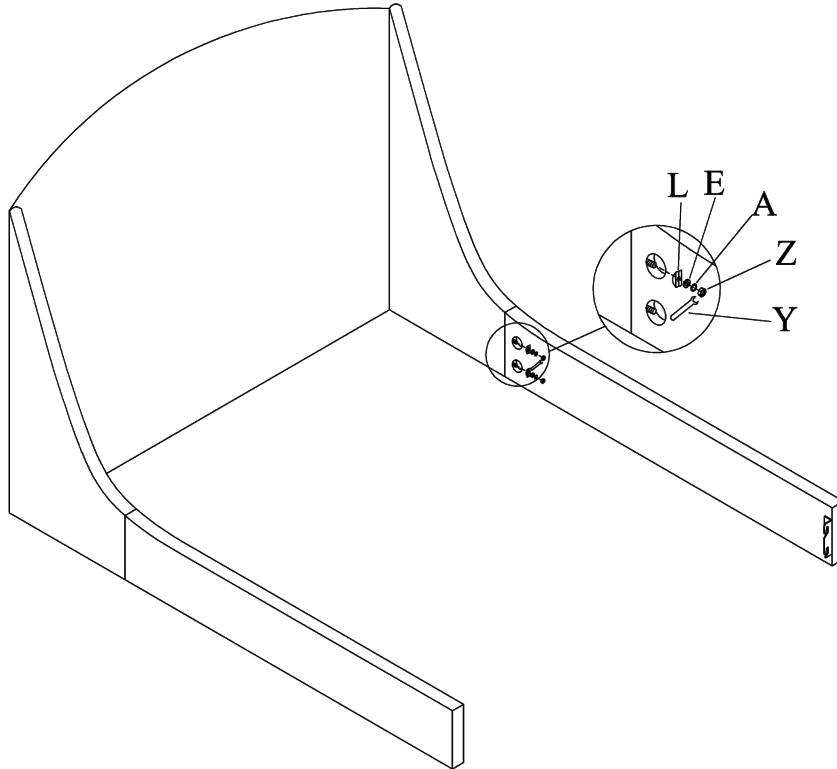
2



Step#2

Screw the steel dowel (K) into the holes in front of wings.

4



Step#3

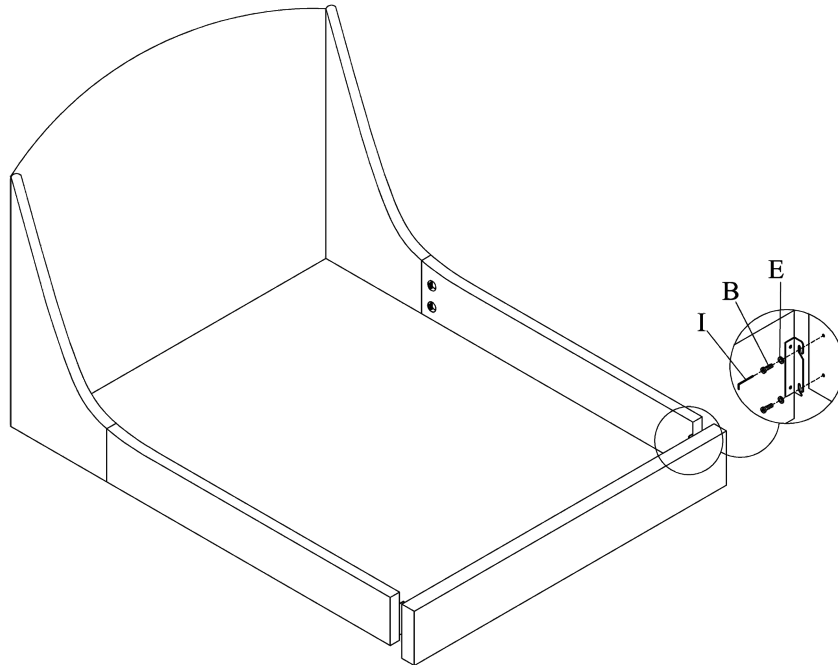
Attach side rails using Half-moon bolt (L) ,Washer (E) and Spring washer (A), Nut (Z) .Tighten/secure Nut (Z) using Wrench (Y) until snug.

CONGRATULATIONS ON YOUR NEW BED PURCHASE

~Warning: do not move bed after final assembly as it may result in damages to floor and/or bed.~

Sienna C/E King Assembly Instructions

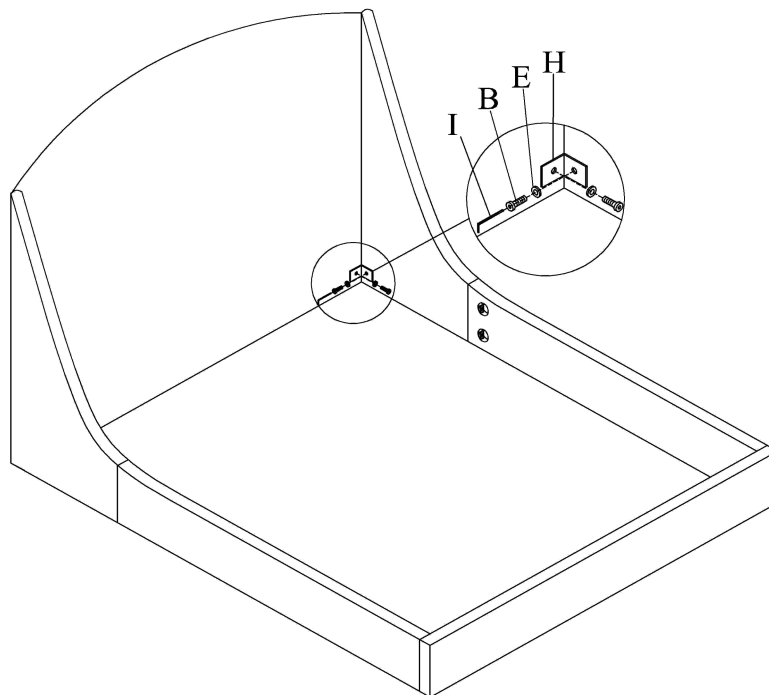
④



Step#4

Loosen Bolts (B) and Washers (E), which are pre-fitted into edges of footboard, clip side rail bracket over the bolt and re-tighten using Wrench (I).

⑤



Step#5

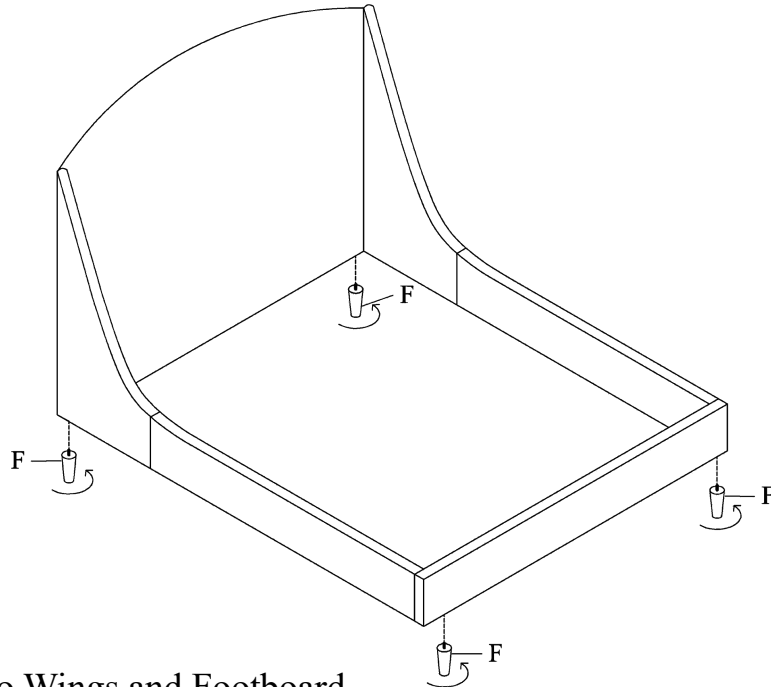
Using Bracket (H) to connect the wings with headboard, Tighten with Wrench (I), Bolt (B) and Washer (E).

CONGRATULATIONS ON YOUR NEW BED PURCHASE

~Warning: do not move bed after final assembly as it may result in damages to floor and/or bed.~

Sienna Queen Assembly Instructions

6

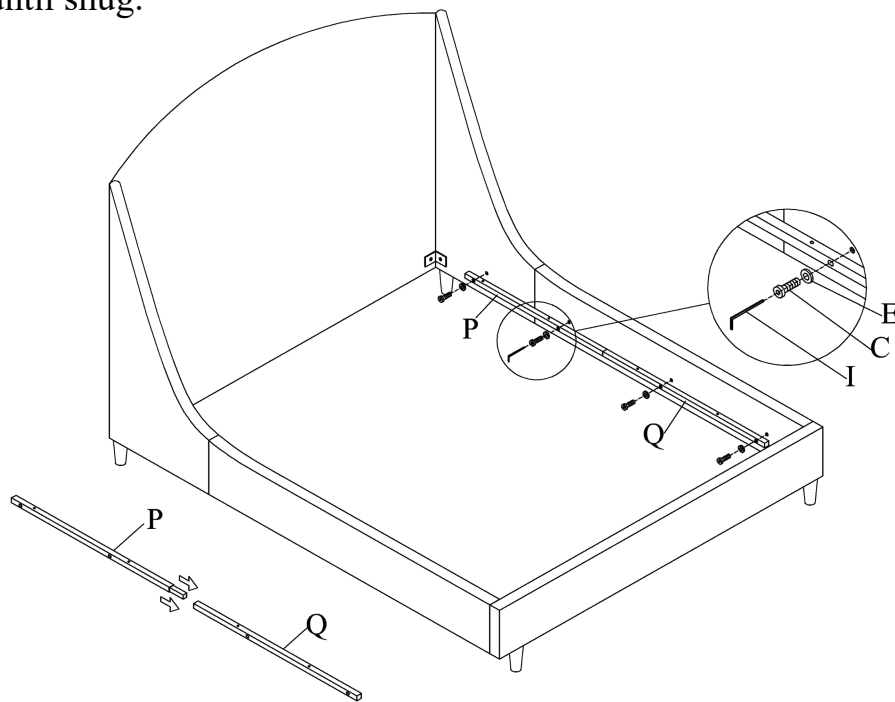


Step#6

Attach bed feet (F) to Wings and Footboard.

Attach the bed feet one side at a time by gently lifting the bed and inserting the bed feet, rotate clockwise until snug.

7



Step#6

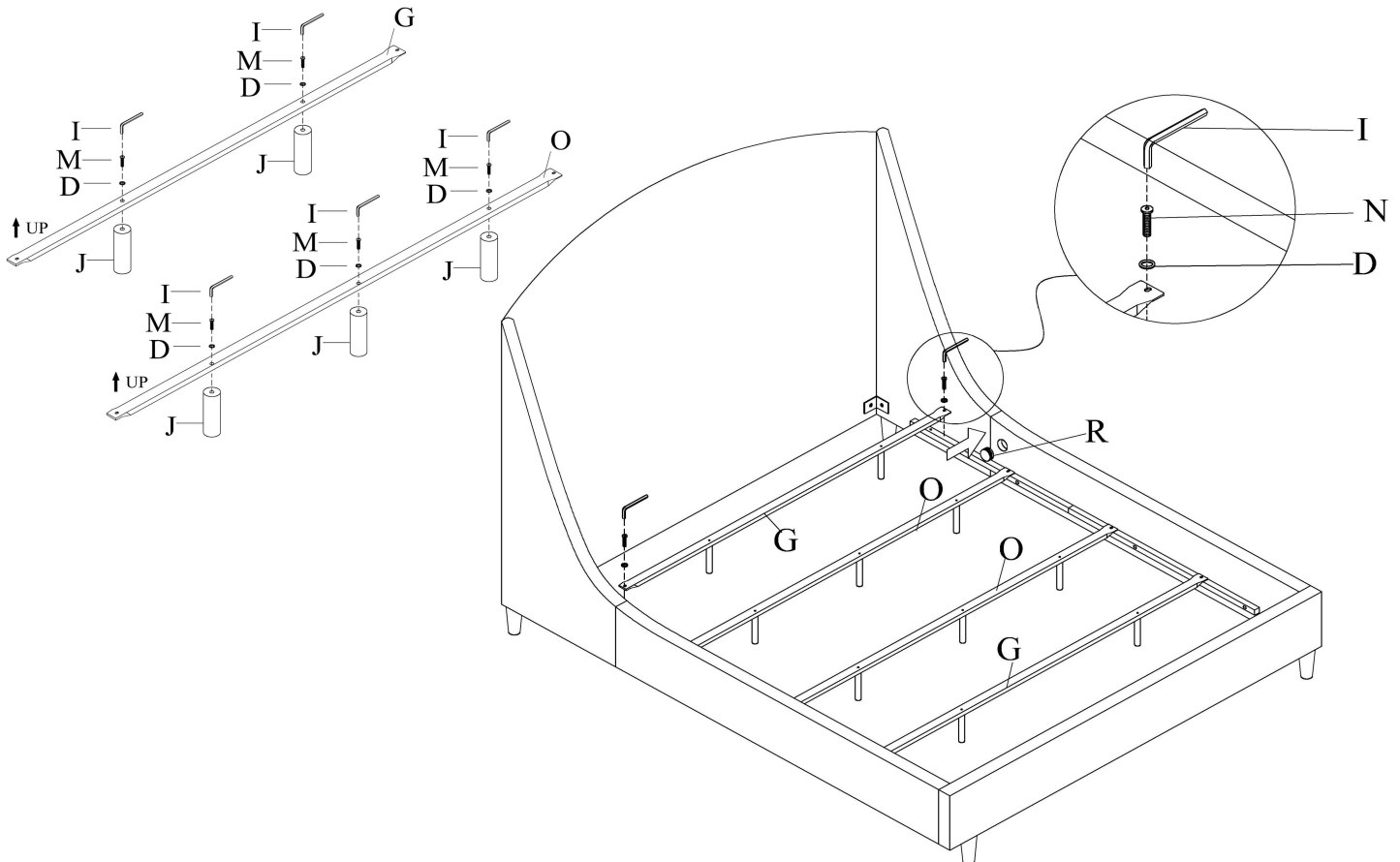
please put support cleat (P) into support cleat (Q) first, then attach the support cleats to side rails using Wrench (I), Bolt (C) and Washer (E).

CONGRATULATIONS ON YOUR NEW BED PURCHASE

~Warning: do not move bed after final assembly as it may result in damages to floor and/or bed.~

Sienna C/E King Assembly Instructions

(8)



Step#7

Attach steel center support legs (J) to the Metal slat (G) & (O) using Wrench (I), Bolt (M) and Washer (D).

Step#8

Move/place bed into final position in bedroom.

Step#9

Attach steel slat support system to full length steel side support cleats (flat side facing up). Verify the metal slats are installed properly into support cleats and center support legs are perpendicular to the floor for full support.

CONGRATULATIONS ON YOUR NEW BED PURCHASE

~Warning: do not move bed after final assembly as it may result in damages to floor and/or bed.~