

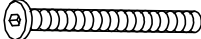



ASSEMBLY INSTRUCTION

ITEM NO: 9277VR-2L LSF 2- SEATER

LEGS AND HARDWARE ARE STORED IN THE BOTTOM OF THE SEAT, PLEASE TAKE OUT FOR ASSEMBLY.

NO.	PARTS LIST	QTY	DESCRIPTION
A		1	LSF 2- SEATER

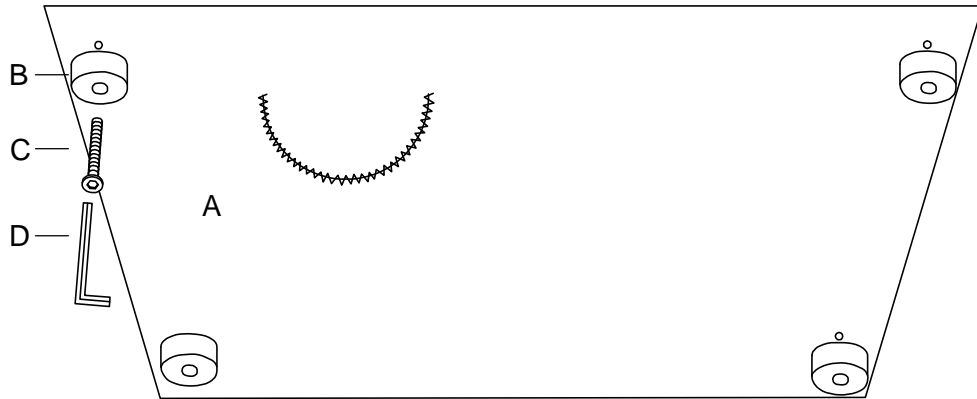
NO.	HARDWARE LIST	QTY	DESCRIPTION
B	 80*80*50mm	4	WOODEN LEGS
C	 M8*60mm	4	BOLT
D	 M5*100*38mm	1	ALLEN KEY

ASSEMBLY INSTRUCTION

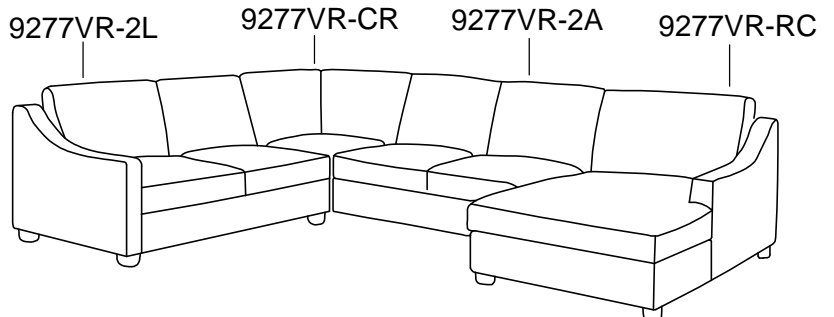
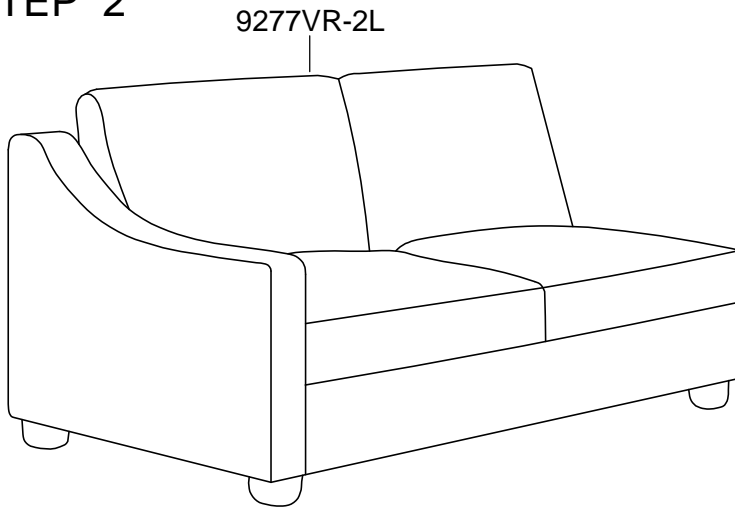
ITEM NO: 9277VR-2L LSF 2- SEATER

STEP 1

PARTS INSIDE



STEP 2



CARE INSTRUCTION FOR FABRIC FURNITURE

In order to maintain the original appearance of your fabric furniture, please follow below simple care procedures.

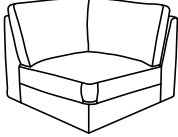
°Avoid exposing furniture directly to sunlight or heating and air conditioning outlets. Exposure to sunlight or heating and air conditioning outlets will fade/damage fabric.

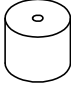
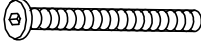

°Wipe gently with a damp soft cloth to remove dust, dirt and any grime build up.

ASSEMBLY INSTRUCTION

ITEM NO: 9277VR-CR CORNER SEAT

LEGS AND HARDWARE ARE STORED IN THE BOTTOM OF THE SEAT, PLEASE TAKE OUT FOR ASSEMBLY.

NO.	PARTS LIST	QTY	DESCRIPTION
A		1	CORNER SEAT

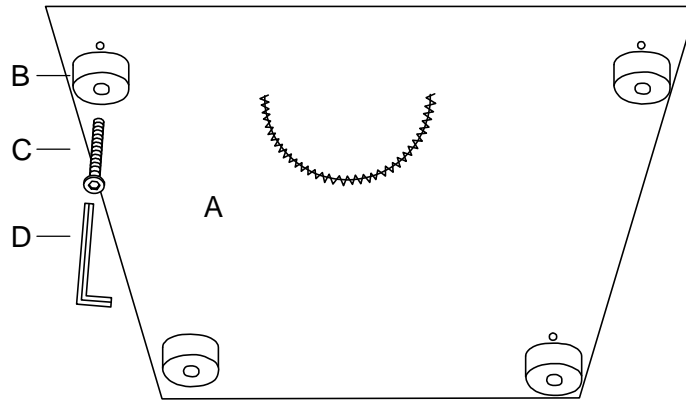
NO.	HARDWARE LIST	QTY	DESCRIPTION
B	 80*80*50mm	4	WOODEN LEGS
C	 M8*60mm	4	BOLT
D	 M5*100*38mm	1	ALLEN KEY

AASSEMBLY INSTRUCTION

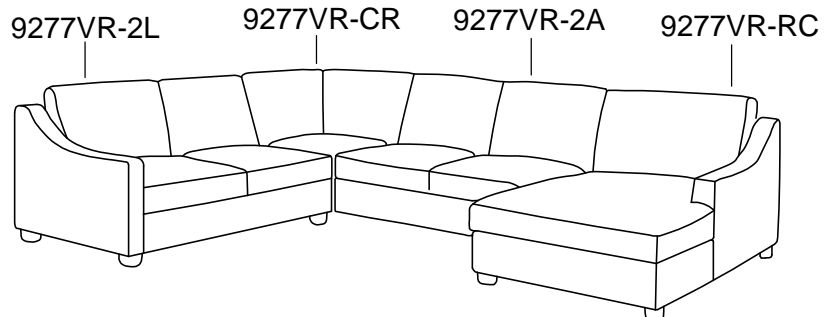
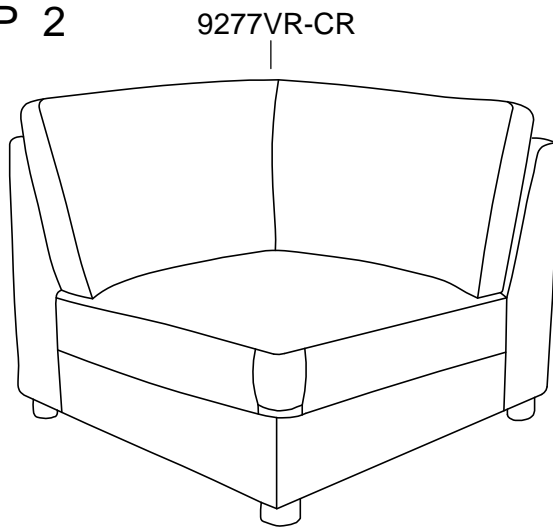
ITEM NO: 9277VR-CR CORNER SEAT

STEP 1

PARTS INSIDE



STEP 2



CARE INSTRUCTION FOR FABRIC FURNITURE

In order to maintain the original appearance of your fabric furniture, please follow below simple care procedures.

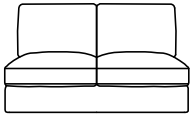
°Avoid exposing furniture directly to sunlight or heating and air conditioning outlets. Exposure to sunlight or heating and air conditioning outlets will fade/damage fabric.


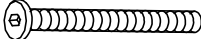

°Wipe gently with a damp soft cloth to remove dust, dirt and any grime build up.

ASSEMBLY INSTRUCTION

ITEM NO: 9277VR-2A ARMLESS 2- SEATER

LEGS AND HARDWARE ARE STORED IN THE BOTTOM OF THE SEAT, PLEASE TAKE OUT FOR ASSEMBLY.

NO.	PARTS LIST	QTY	DESCRIPTION
A		1	ARMLESS 2- SEATER

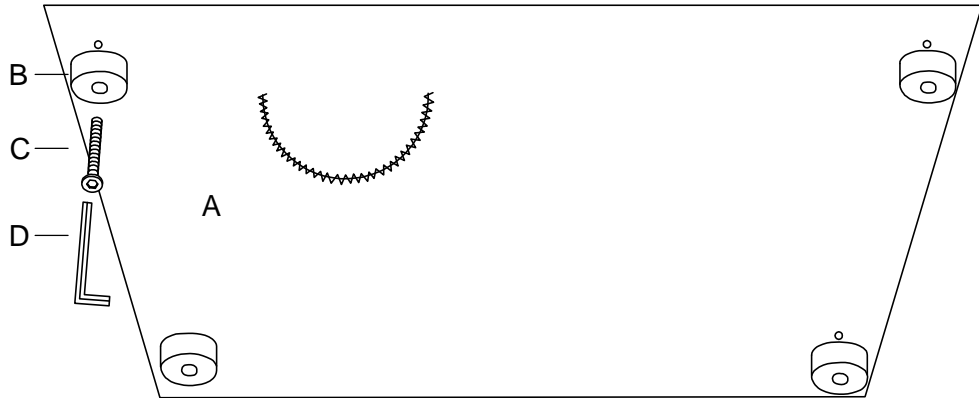
NO.	HARDWARE LIST	QTY	DESCRIPTION
B	 80*80*50mm	4	WOODEN LEGS
C	 M8*60mm	4	BOLT
D	 M5*100*38mm	1	ALLEN KEY

ASSEMBLY INSTRUCTION

ITEM NO: 9277VR-2A ARMLESS 2- SEATER

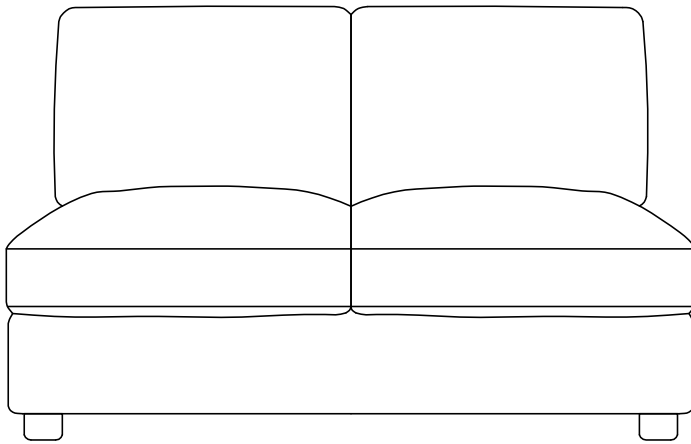
STEP 1

PARTS INSIDE

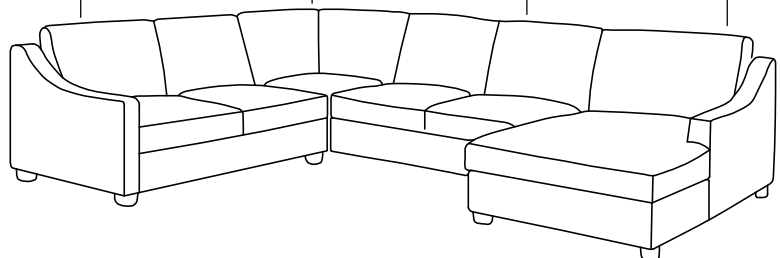


STEP 2

9277VR-2A



9277VR-2L 9277VR-CR 9277VR-2A 9277VR-RC



CARE INSTRUCTION FOR FABRIC FURNITURE

In order to maintain the original appearance of your fabric furniture, please follow below simple care procedures.


°Avoid exposing furniture directly to sunlight or heating and air conditioning outlets. Exposure to sunlight or heating and air conditioning outlets will fade/damage fabric.

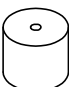
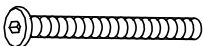

°Wipe gently with a damp soft cloth to remove dust, dirt and any grime build up.

ASSEMBLY INSTRUCTION

ITEM NO: 9277VR-RC RSF CHAISE

LEGS AND HARDWARE ARE STORED IN THE BOTTOM OF THE SEAT, PLEASE TAKE OUT FOR ASSEMBLY.

NO.	PARTS LIST	QTY	DESCRIPTION
A		1	RSF CHAISE

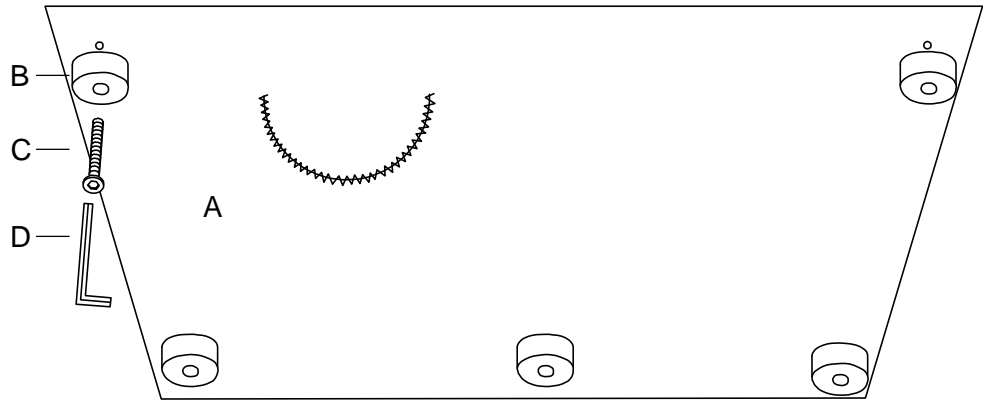
NO.	HARDWARE LIST	QTY	DESCRIPTION
B	 80*80*50mm	5	WOODEN LEGS
C	 M8*60mm	5	BOLT
D	 M5*100*38mm	1	ALLEN KEY

ASSEMBLY INSTRUCTION

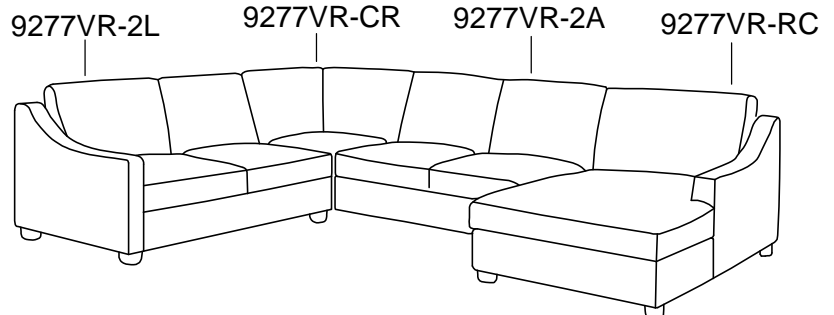
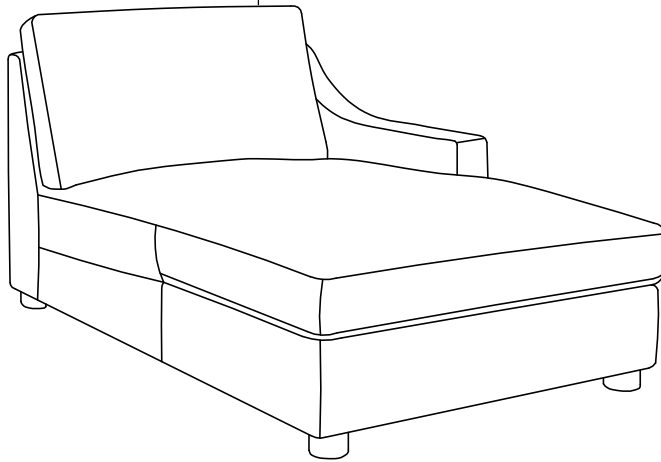
ITEM NO: 9277VR-RC RSF CHAISE

STEP 1

PARTS INSIDE



STEP 2 9277VR-RC



CARE INSTRUCTION FOR FABRIC FURNITURE

In order to maintain the original appearance of your fabric furniture, please follow below simple care procedures.

°Avoid exposing furniture directly to sunlight or heating and air conditioning outlets. Exposure to sunlight or heating and air conditioning outlets will fade/damage fabric.

°Wipe gently with a damp soft cloth to remove dust, dirt and any grime build up.