




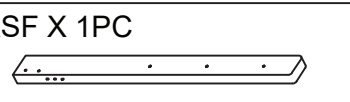
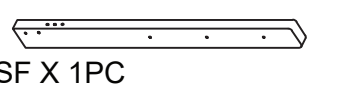
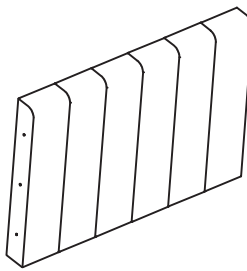


# ASSEMBLY INSTRUCTION

ITEM NO : 1570GYF / GY -1  
 QUEEN HEADBOARD / FULL HEADBOARD / HEADBOARD POSTS / CLEATS








Thank you for purchasing this product. Please take time to read and follow the instructions below. Check that you have all parts and hardware before assembly. Parts apparently missing are often found in the packing materials. If you do not have all the parts listed, have your dealer contact us and they will be sent to you immediately.

 It is recommended to install protective pads under all legs and supports to avoid damage or scratches when placing furniture on a wood floor or other hard surface, and to limit indentation and prevent discoloration if placing on carpet

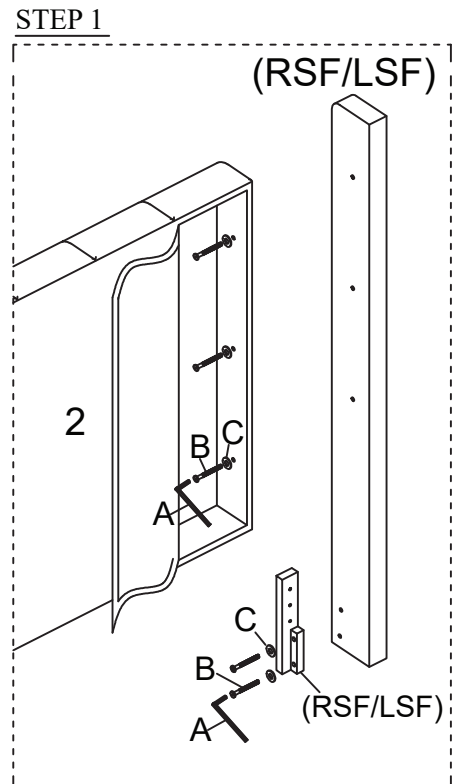
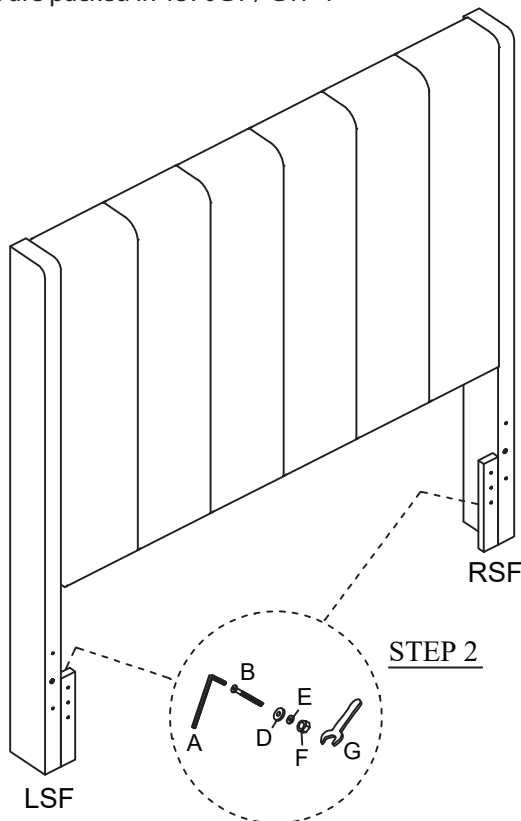
## PART LIST

<b>1 HEADBOARD POST</b>  	<b>2 HEADBOARD X 1PC</b> 	<b>3 CLEAT</b>  
---	---	--

## HARDWARE SET

<b>A X 1</b>  ALLEN KEY	<b>B X 16</b>  M6x60mm	<b>C X 10</b>  19mm FLAT WASHER	<b>D X 6</b>  NYLON WASHER
<b>E X 6</b>  13mm FLAT WASHER	<b>F X 6</b>  HEX NUT	<b>G X 1</b>  WRENCH	

\*\*\* Above hardware are packed in 1570GY / GYF-1

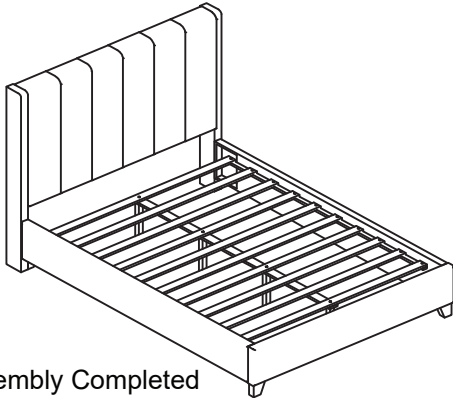


DO NOT TIGHTEN ALL THE BOLTS UNTIL COMPLETELY ASSEMBLED



# ASSEMBLY INSTRUCTION

ITEM NO : 1570GYF / GY -3  
 QUEEN FOOTBOARD / FULL FOOTBOARD / QUEEN SIDE RAILS / FULL SIDE RAILS /  
 BUN FEET / SUPPORT LEGS / CENTER SUPPORT / SLATS



Assembly Completed

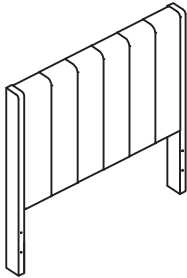
Thank you for purchasing this product. Please take time to read and follow the instructions below. Check that you have all parts and hardware before assembly. Parts apparently missing are often found in the packing materials. If you do not have all the parts listed, have your dealer contact us and they will be sent to you immediately.



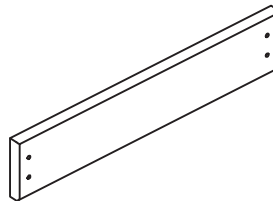
It is recommended to install protective pads under all legs and supports to avoid damage or scratches when placing furniture on a wood floor or other hard surface, and to limit indentation and prevent discoloration if placing on carpet

## PART LIST

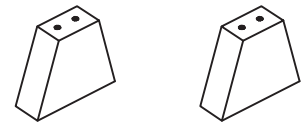
1 HEADBOARD X 1PC



2 FOOTBOARD X 1PC



3 BUN FOOT X 2PCS



4 SIDE RAIL

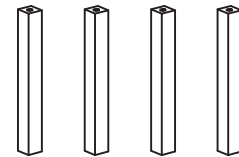
RSF X 1PC



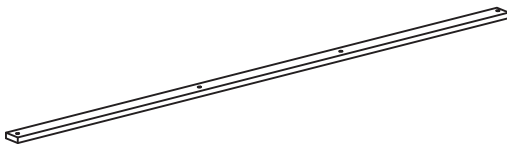
LSF X 1PC



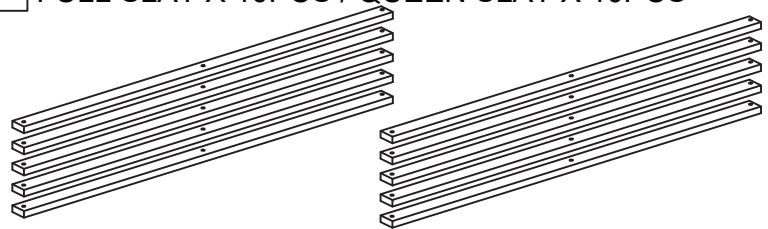
5 SLAT SUPPORT LEG X 4PCS



6 CENTER SLAT SUPPORT X 1PC



7 FULL SLAT X 10PCS / QUEEN SLAT X 10PCS



## HARDWARE SET

A X 1



ALLEN KEY

B X 8



M6x60mm

C X 4



M6x30mm

D X 8



19mm FLAT  
WASHER

E X 4



CSK SCREW  
M4x45mm

F X 4



LEVELER

G X 20



CSK SCREW  
M4x25mm

\*\*\* Above hardware are packed in 1570GY / GYF - 3

