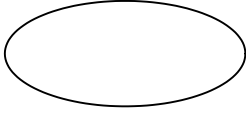
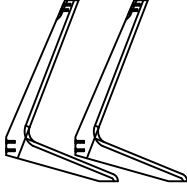
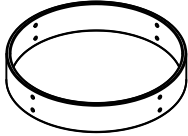










# Product Assembly Instructions

## SANTANA DINING TABLE

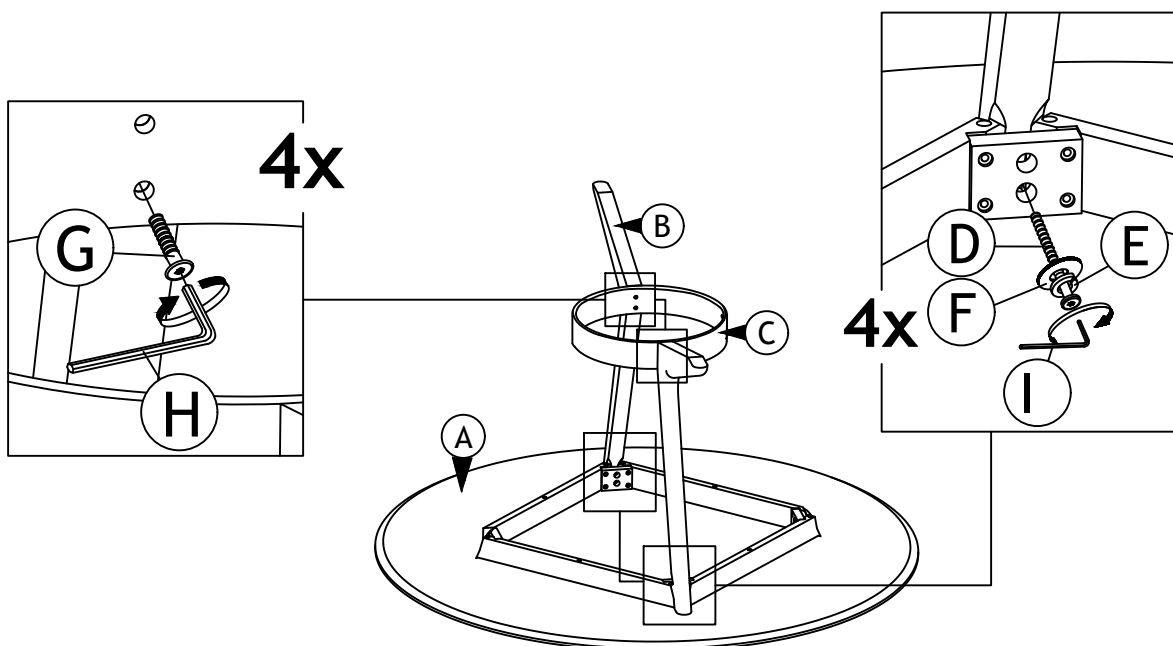
### PART LIST

 A : TABLE TOP x1	 B : TABLE LEG x4	 C : METAL ROUND SUPPORT x1
---	---	---

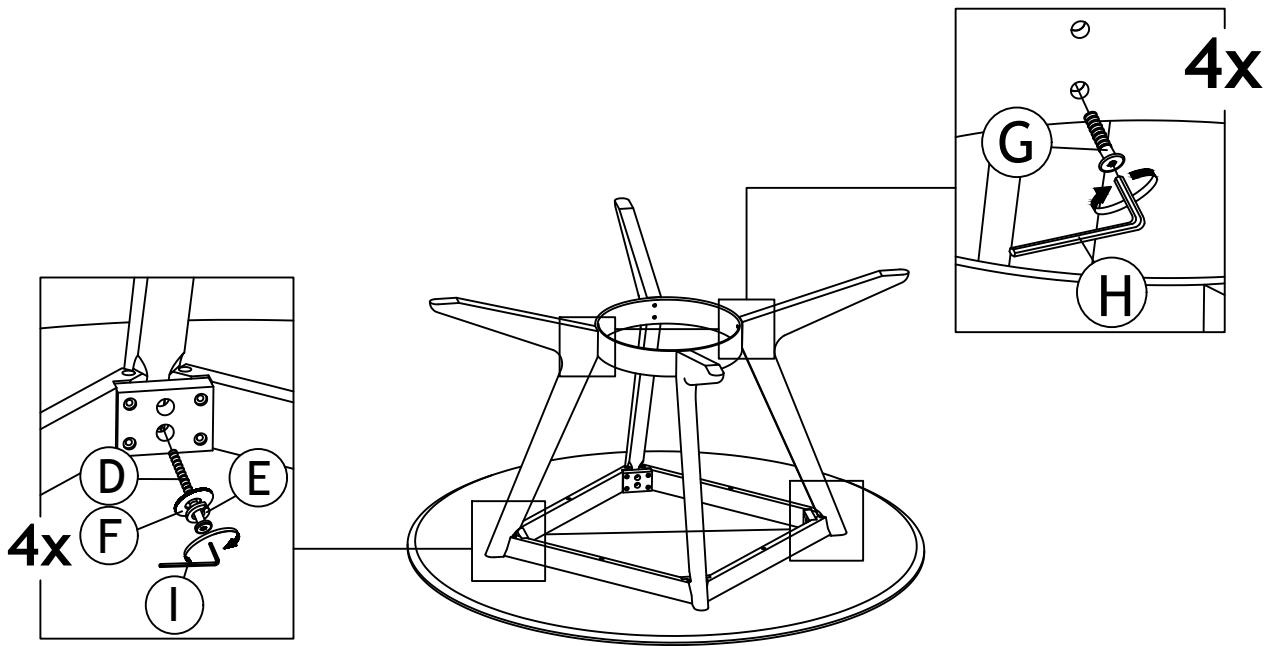
### HARDWARE LIST

 D : JCBB SCREW M8 x 70MM x8	 E : SPRING WASHER 5/16" x8	 F : FLAT WASHER 5/16" x8
 G : JCBB SCREW M6 x 30mm (BLACK) x8	 H : ALLEN KEY M4 BALL SHAPE(LONG) x1	 I : ALLEN KEY M5 x1

### STEP 1



STEP 2



STEP 3

