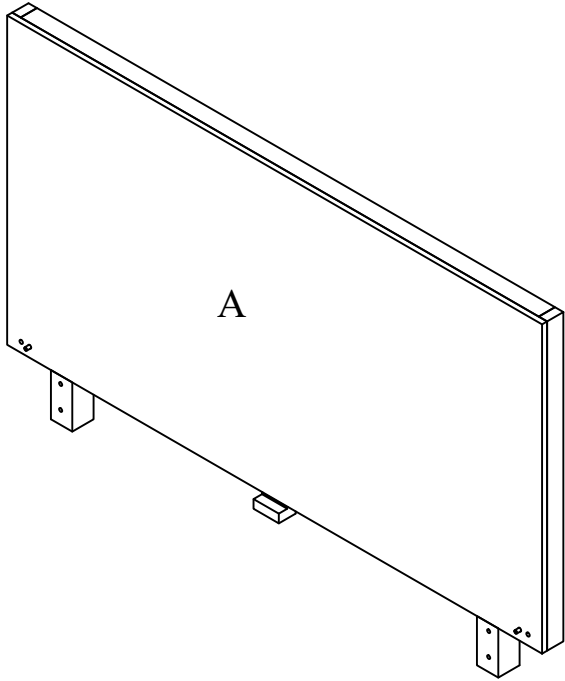


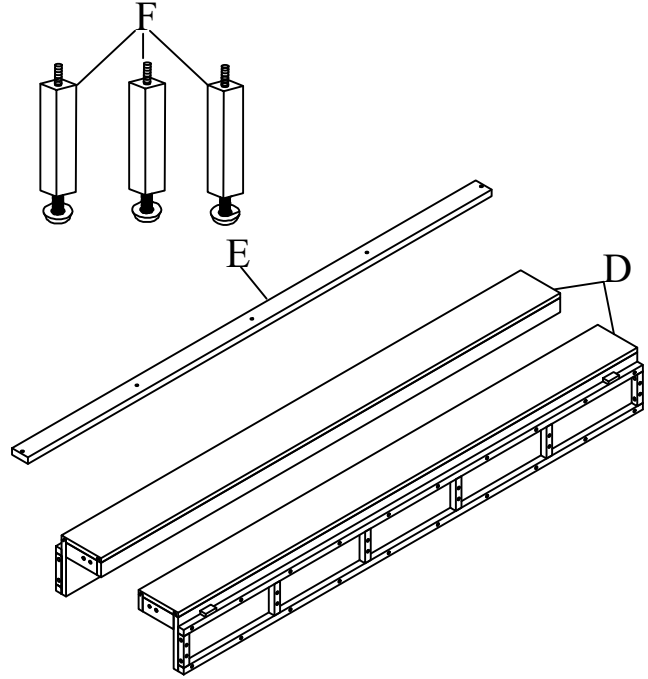
MELBOURNE FULL / QUEEN / KING BED ASSEMBLY INSTRUCTIONS



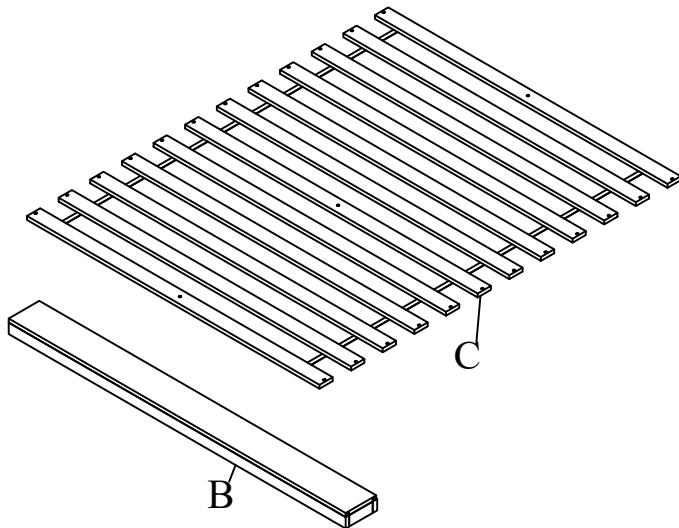
BOX 1:
A. HEADBOARD 1 PC



BOX #3:
D. SIDE RAIL 2 PCS
E. CENTER SLAT SUPPORT 1 PC
F. SUPPORT LEG 3 PCS



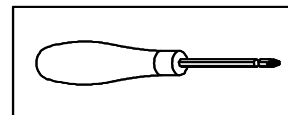
BOX 2:
B. FOOTBOARD 1 PC
C. SLAT ROLL 1 SET



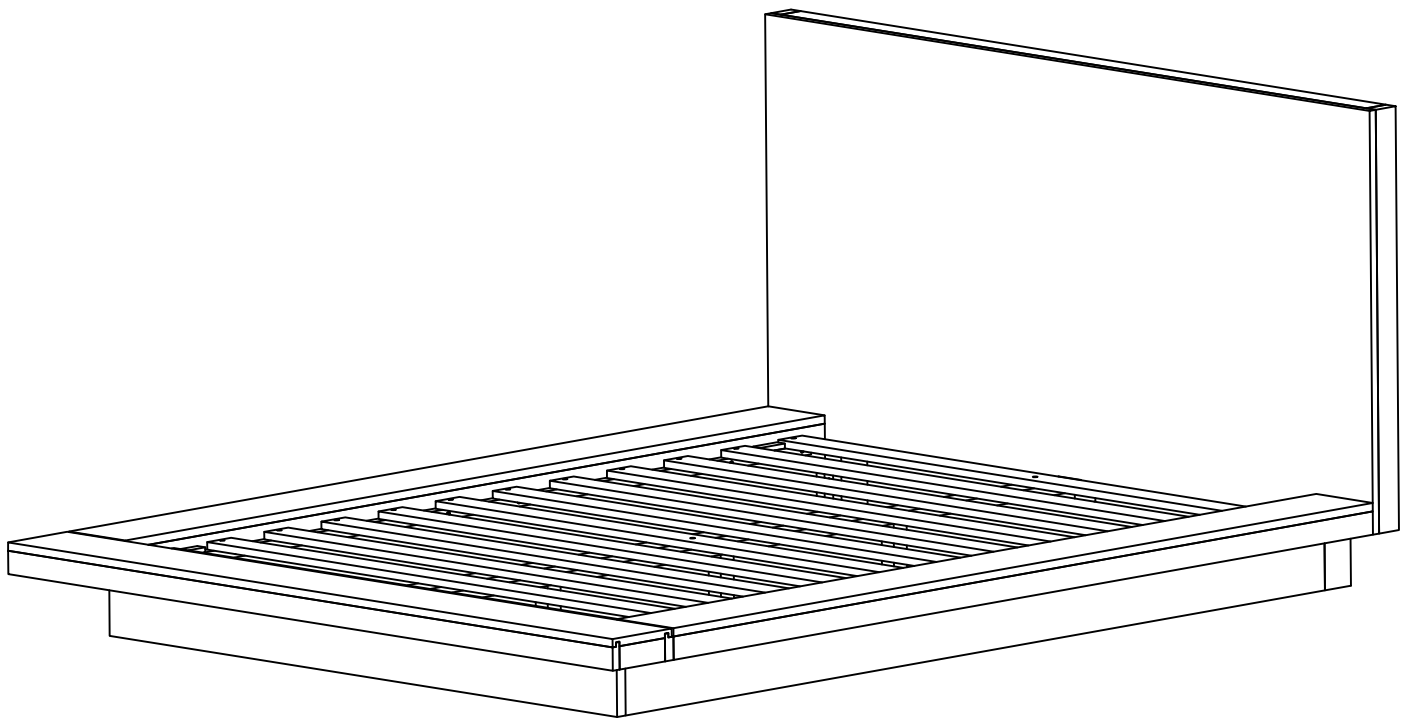
HARDWARE PACKED IN BOX #2

1	ALLEN BOLT (M8X90)		2 PCS
2	ALLEN BOLT (M8X40)		10 PCS
3	SPRING WASHER (M8)		12 PCS
4	FLAT WASHER (M8)		12 PCS
5	WOOD SCREW (M4X30)		6 PCS
6	ALLEN KEY		1 PC

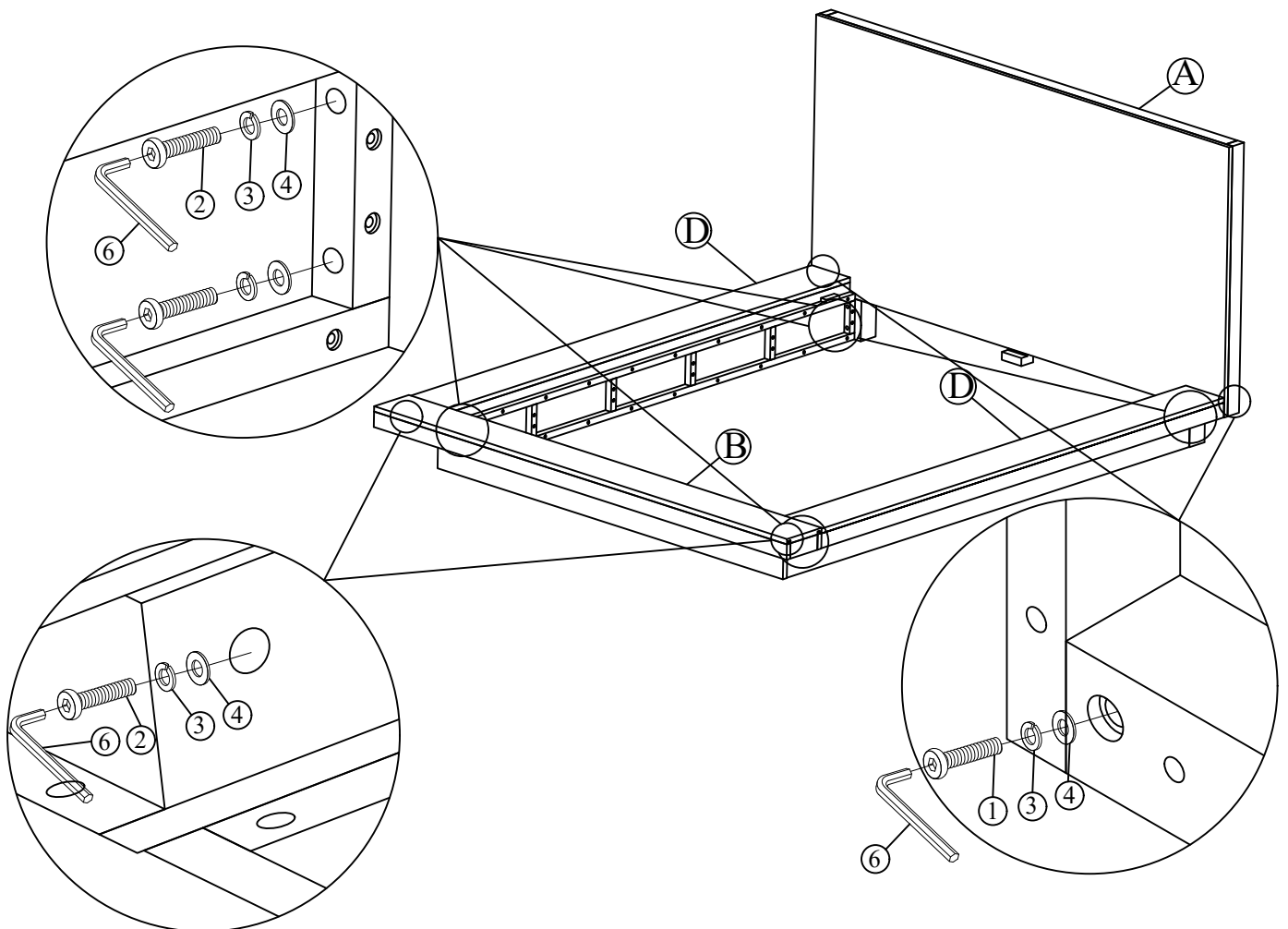
TOOL REQUIRED
PHILLIPS HEAD SCREW DRIVER AND
LADDER (NOT PROVIDED)



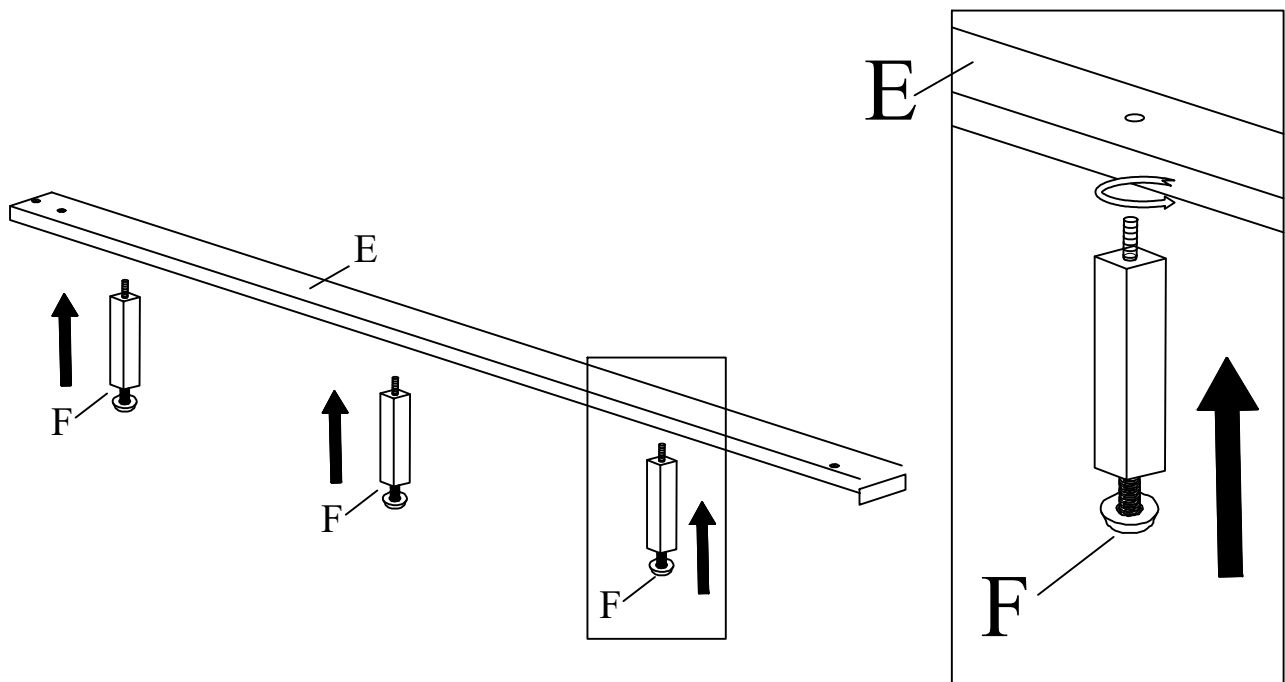
MELBOURNE FULLY ASSEMBLED



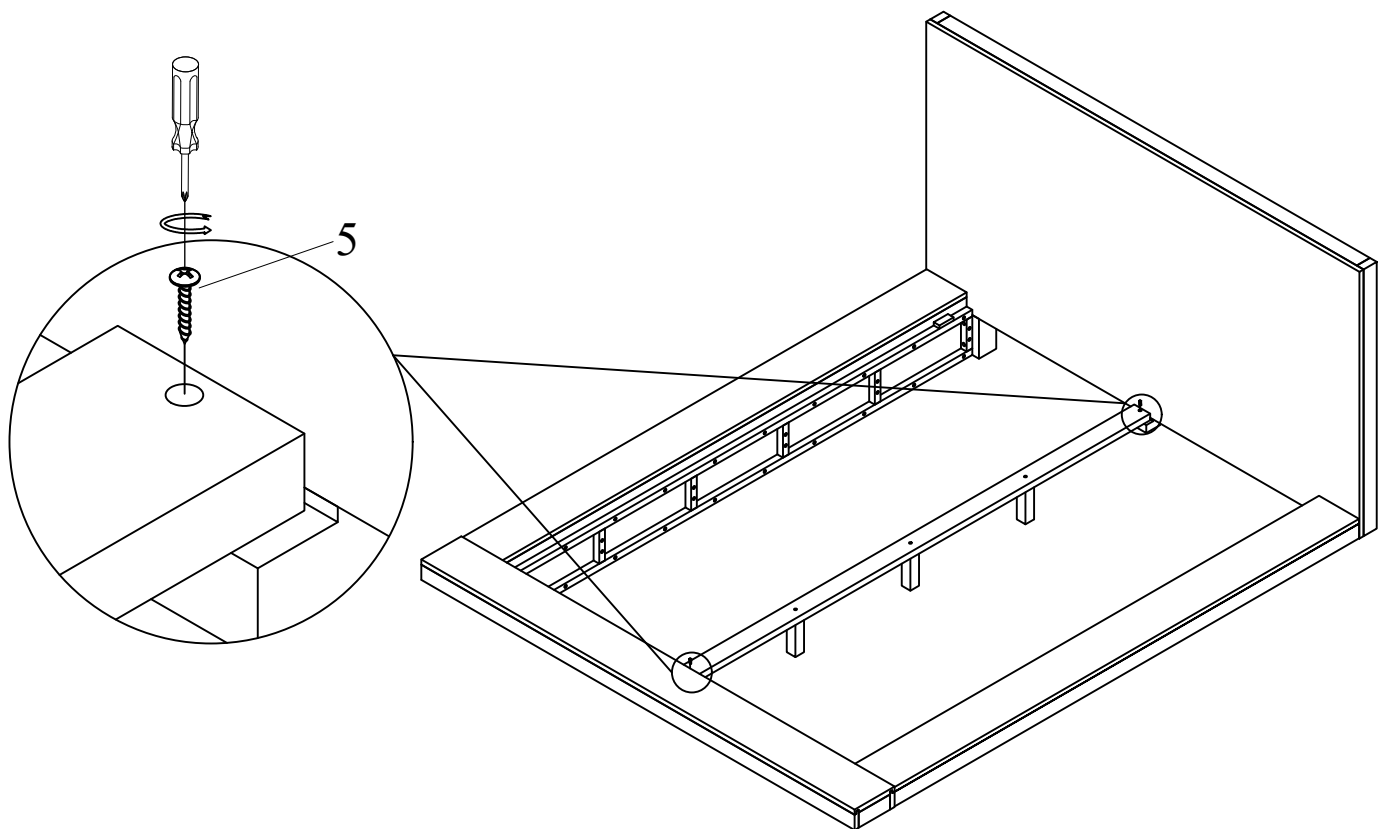
STEP 1:



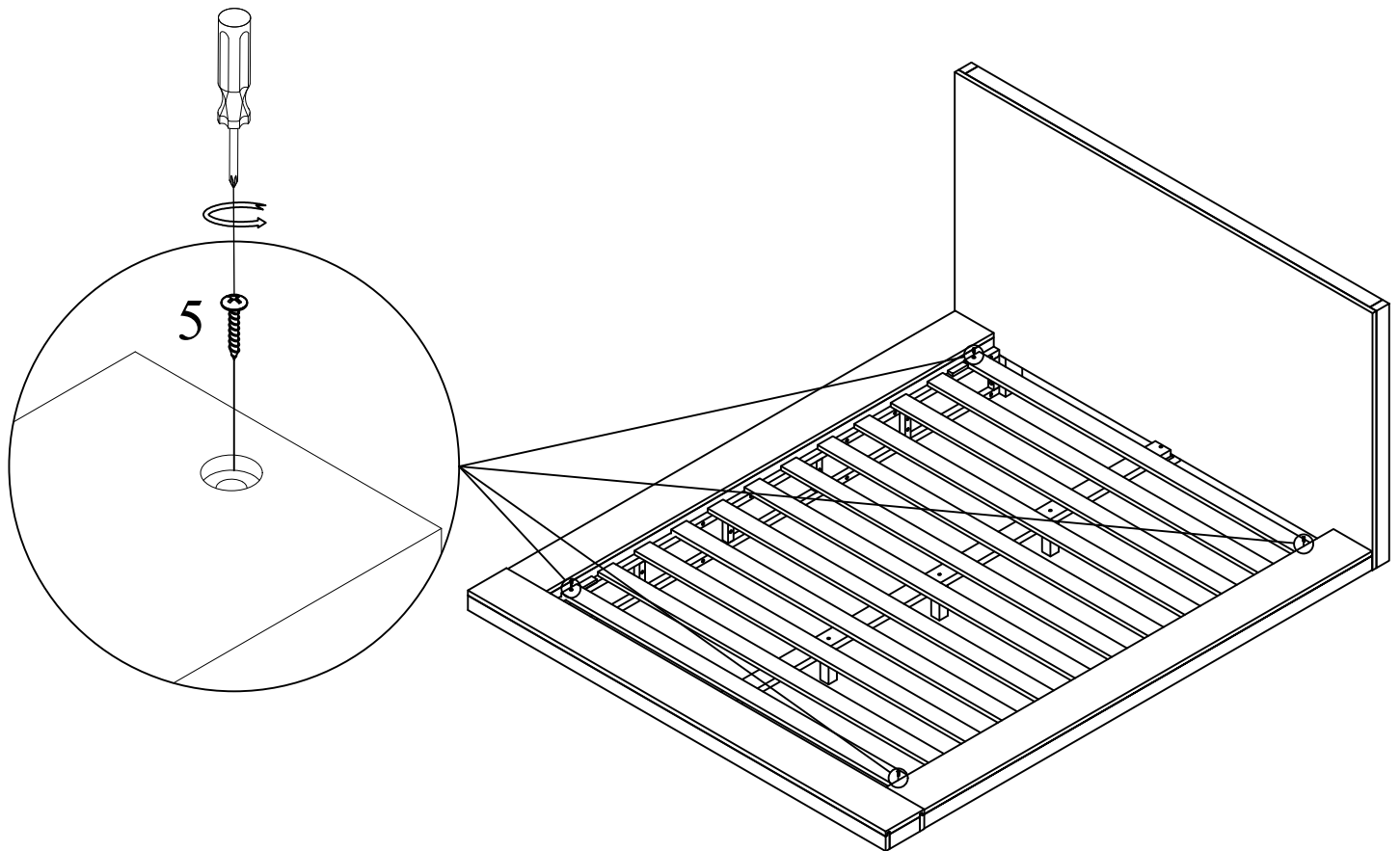
STEP 2:



STEP 3:



STEP 4:

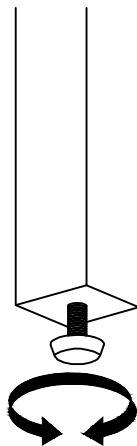


ASSEMBLY COMPLETE

**INSTRUCTIONS FOR ADJUSTING
LEVELER**

POSITION THE BED IN YOUR SPACE AND LOCATE THE LEVELER UNDER EACH SUPPORT LEG. TURN THE LEVELER COUNTER-CLOCKWISE TO EXTEND THE LEVELER AND CLOCKWISE TO RETRACT IT.

ADJUST EACH LEVELER UNTIL EACH SUPPORT LEG IS APPLY EQUAL, UPWARD PRESSURE ON THE SUPPORT SLAT.



MAINTENANCE INSTRUCTIONS:

REMOVE YOUR MATTRESS, AND BOX SPRING IF APPLICABLE, BEFORE MOVING YOUR BED.

LIFT YOUR BED WHEN MOVING IT; DRAGGING CAN DAMAGE THE SUPPORTS.

RE-ADJUST THE LEVELERS AFTER MOVING YOUR BED.