

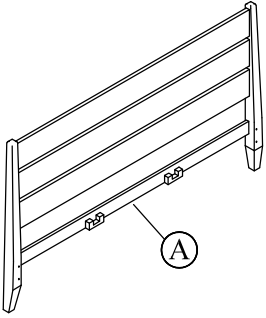
SUMIRE SPLAY CAL KING BED

ASSEMBLY INSTRUCTIONS

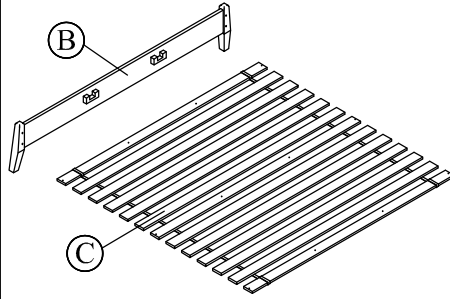


PARTS AND FITTING PACKAGING DETAIL

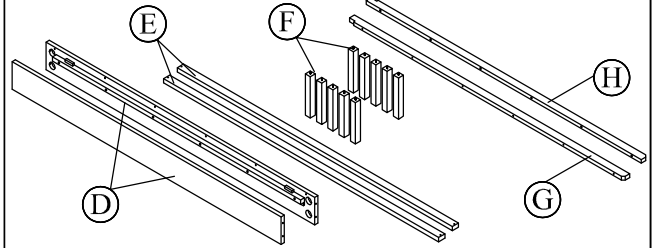
BOX #1
A. HEADBOARD 1 PC



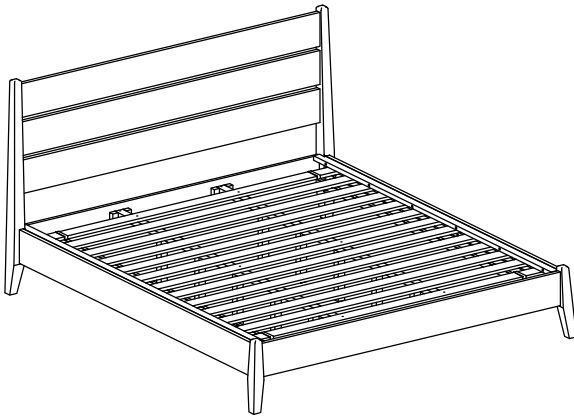
BOX #2
B. FOOTBOARD 1 PC
C. SLAT ROLL 1 SET



BOX #3
D. SIDE RAILS 2 PCS
E. CENTER SUPPORT 2 PCS
F. SUPPORT LEG 10 PCS
G. LEFT MATTRESS SPACER 1 PC
H. RIGHT MATTRESS SPACER 1 PC



FULLY ASSEMBLED

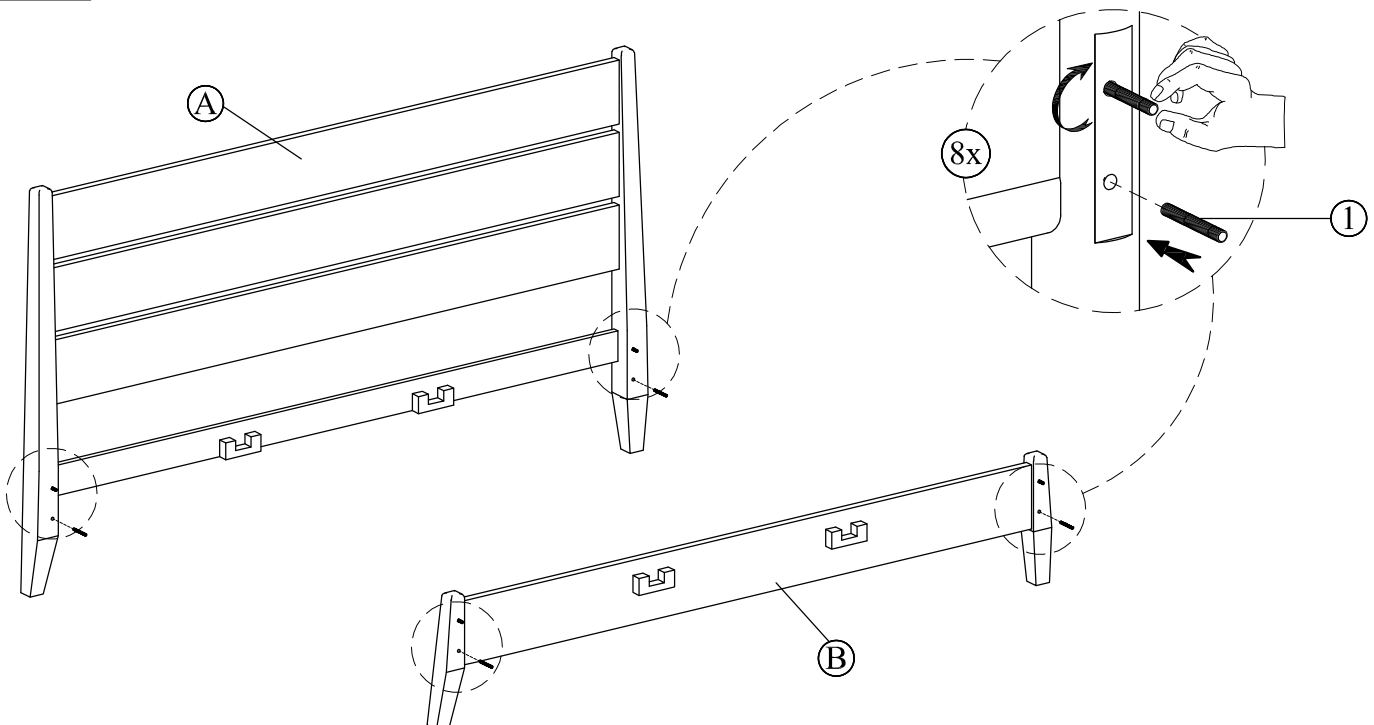


HARDWARE KIT PACKED IN BOX #2

NO.	DESCRIPTION	IMAGE	QTY
1	THREADED BOLT (8x60mm)		8 PCS
2	ARC WASHER (2x14x26mm)		8 PCS
3	LOCK WASHER (M10)		8 PCS
4	HEX NUT (M8)		8 PCS
5	WRENCH		1 PC
6	WOOD SCREW (4x35mm)		4 PCS
7	WOOD SCREW (4x25mm)		12 PCS
8	ALLEN BOLT (6x60mm)		12 PCS
9	LOCK WASHER (M9)		12 PCS
10	FLAT WASHER (M6x13)		12 PCS
11	ALLEN KEY		1 PC



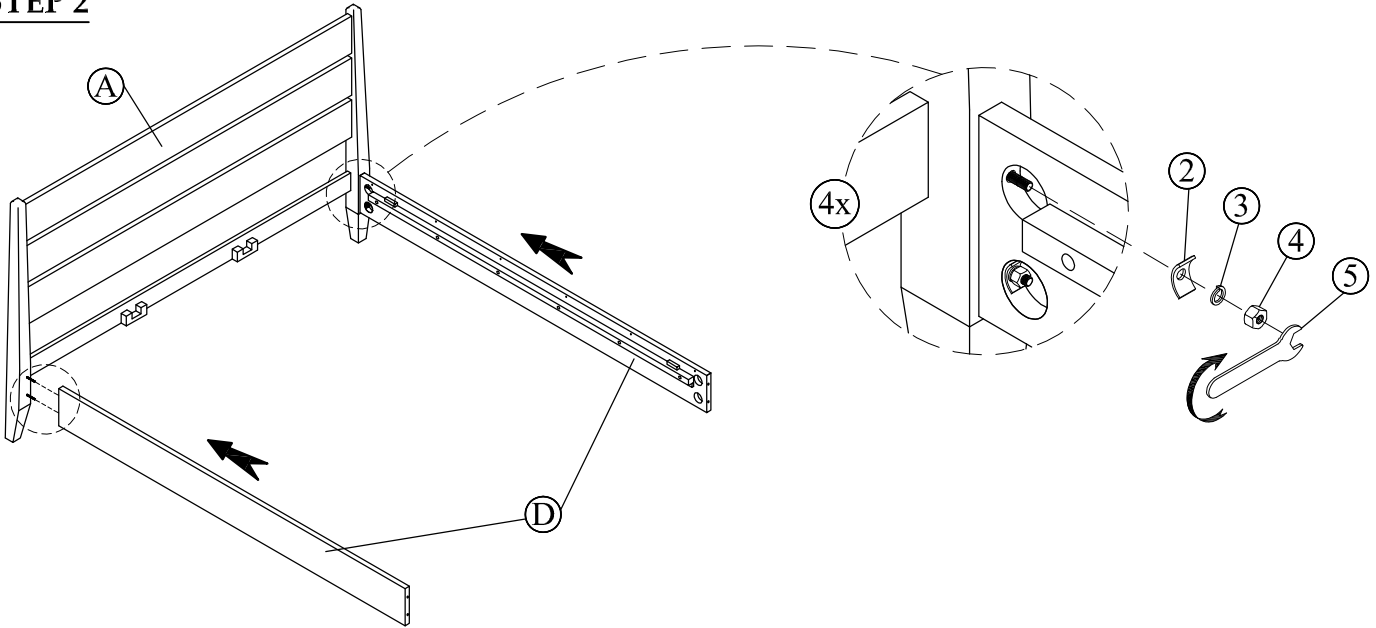
STEP 1



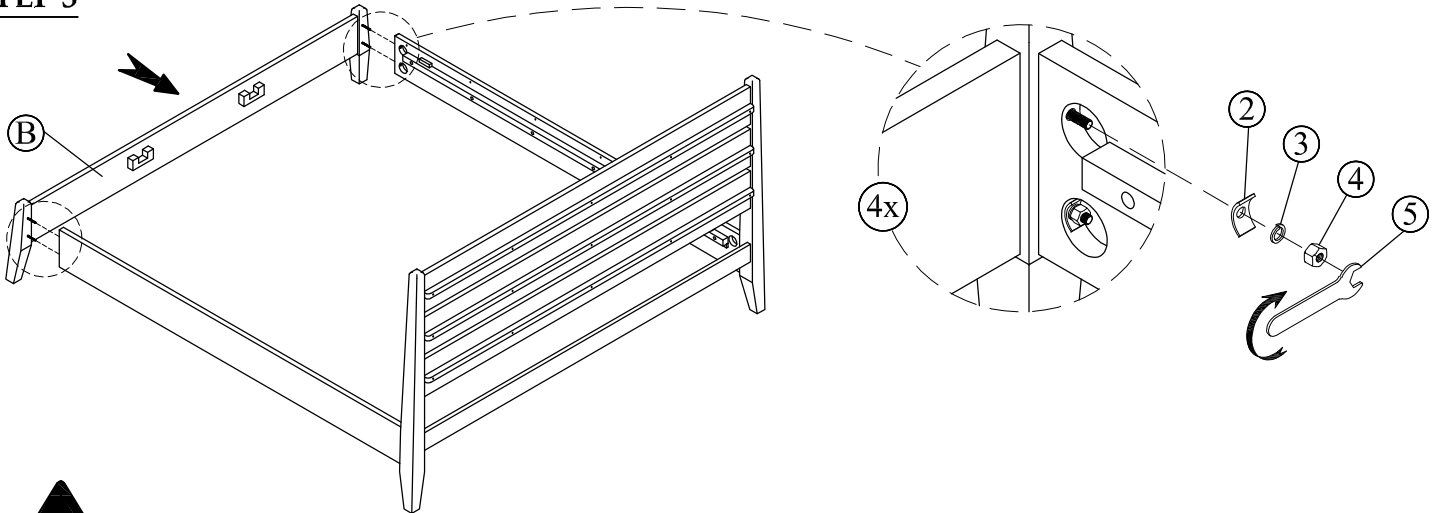
SUMIRE SPLAY CAL KING BED

ASSEMBLY INSTRUCTIONS

STEP 2



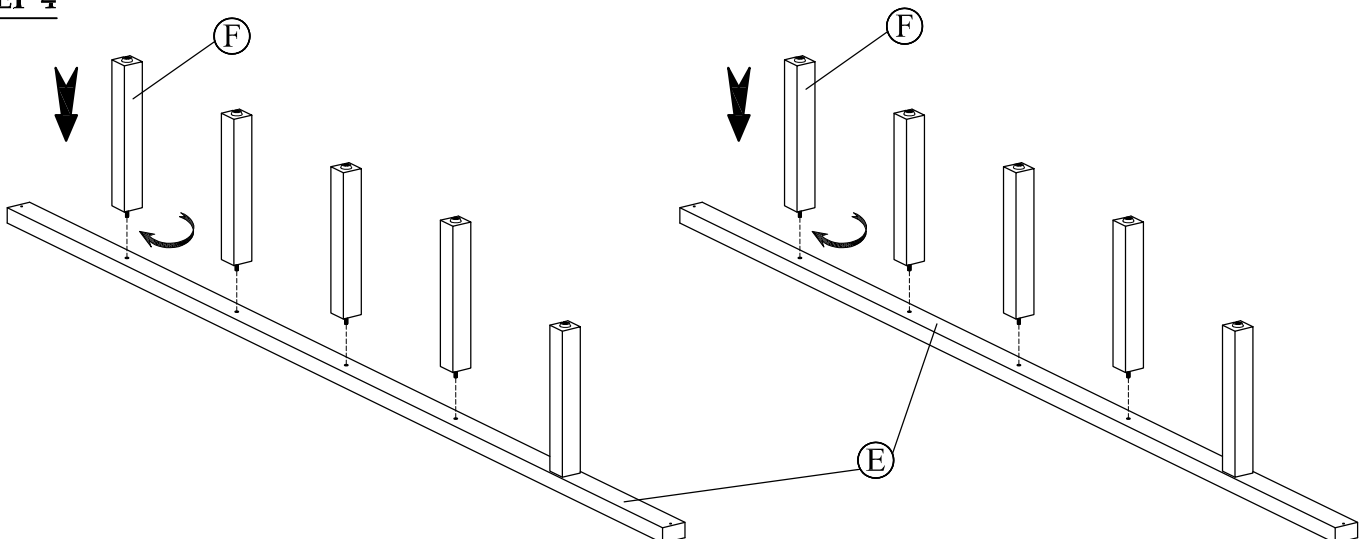
STEP 3



STOP

- IF USING BED WITH AN ADJUSTABLE MATTRESS BASE, SKIP STEPS 4, 5, 6, 7 & 8 AND REFERENCE APPENDIX A: ADJUSTABLE MATTRESS BASE ASSEMBLY SUPPLEMENT.
- IF USING BED FRAME WITH STANDARD BOX SPRING OR FOUNDATION, CONTINUE TO STEP 4

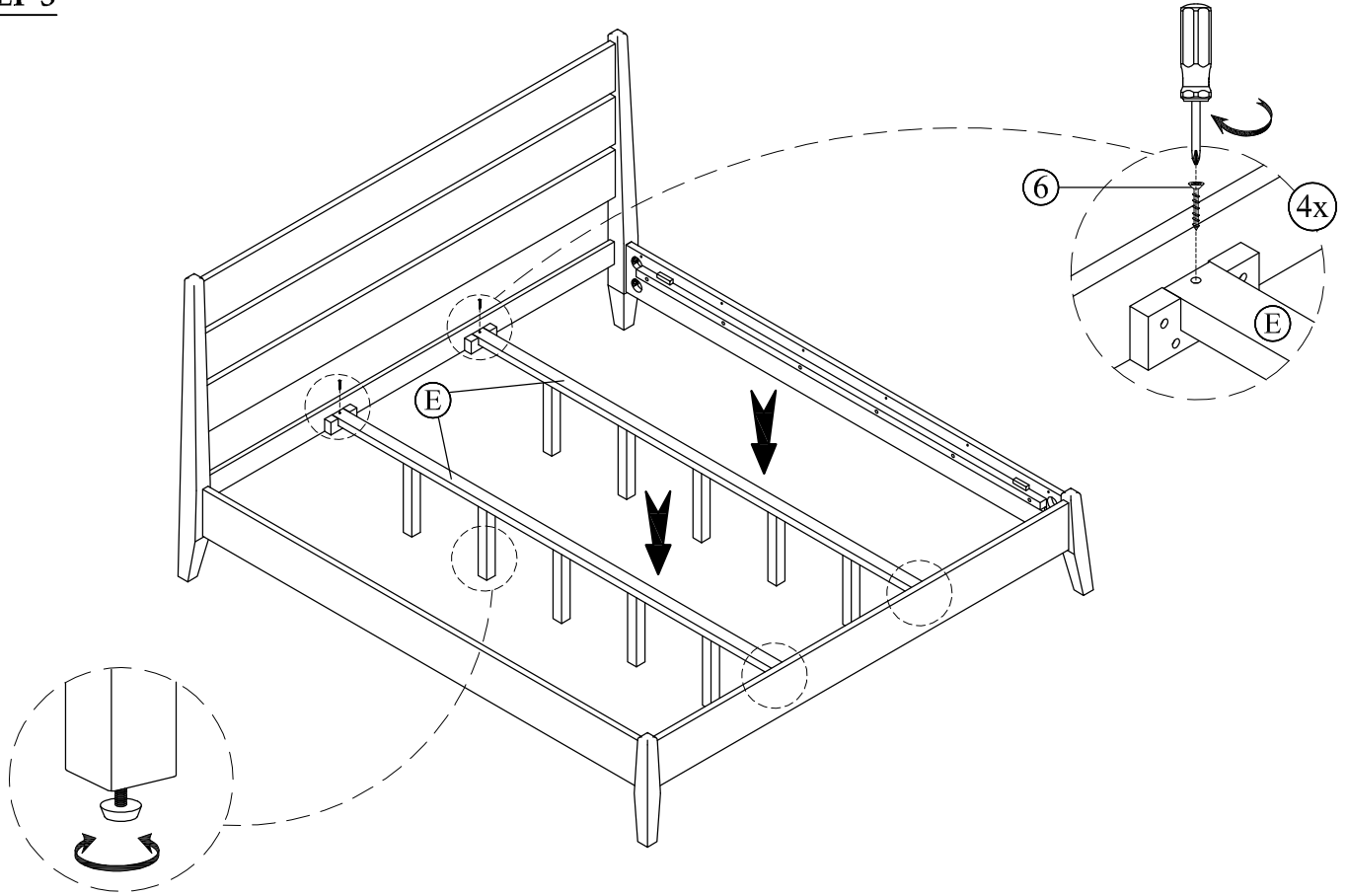
STEP 4



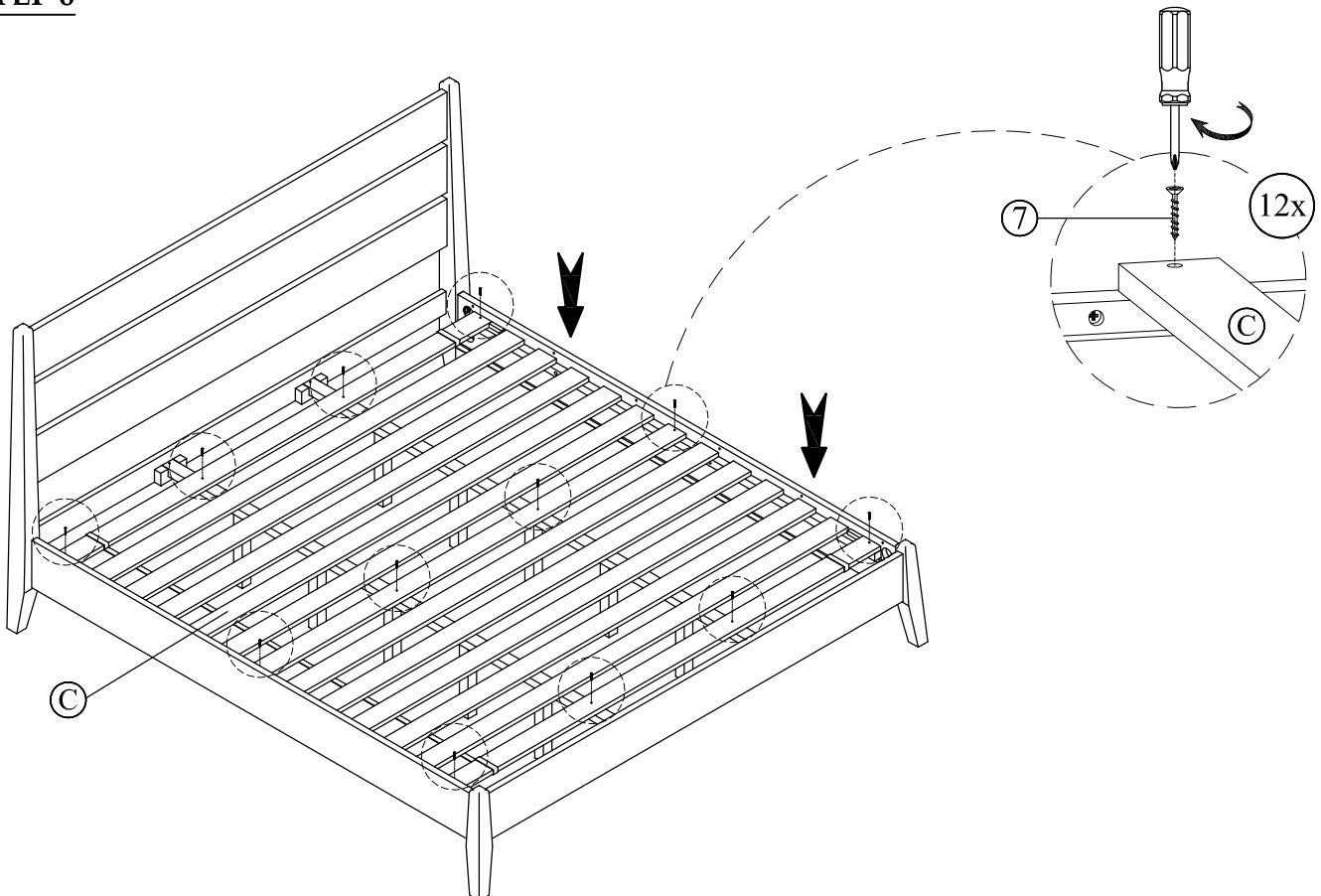
SUMIRE SPLAY CAL KING BED

ASSEMBLY INSTRUCTIONS

STEP 5



STEP 6

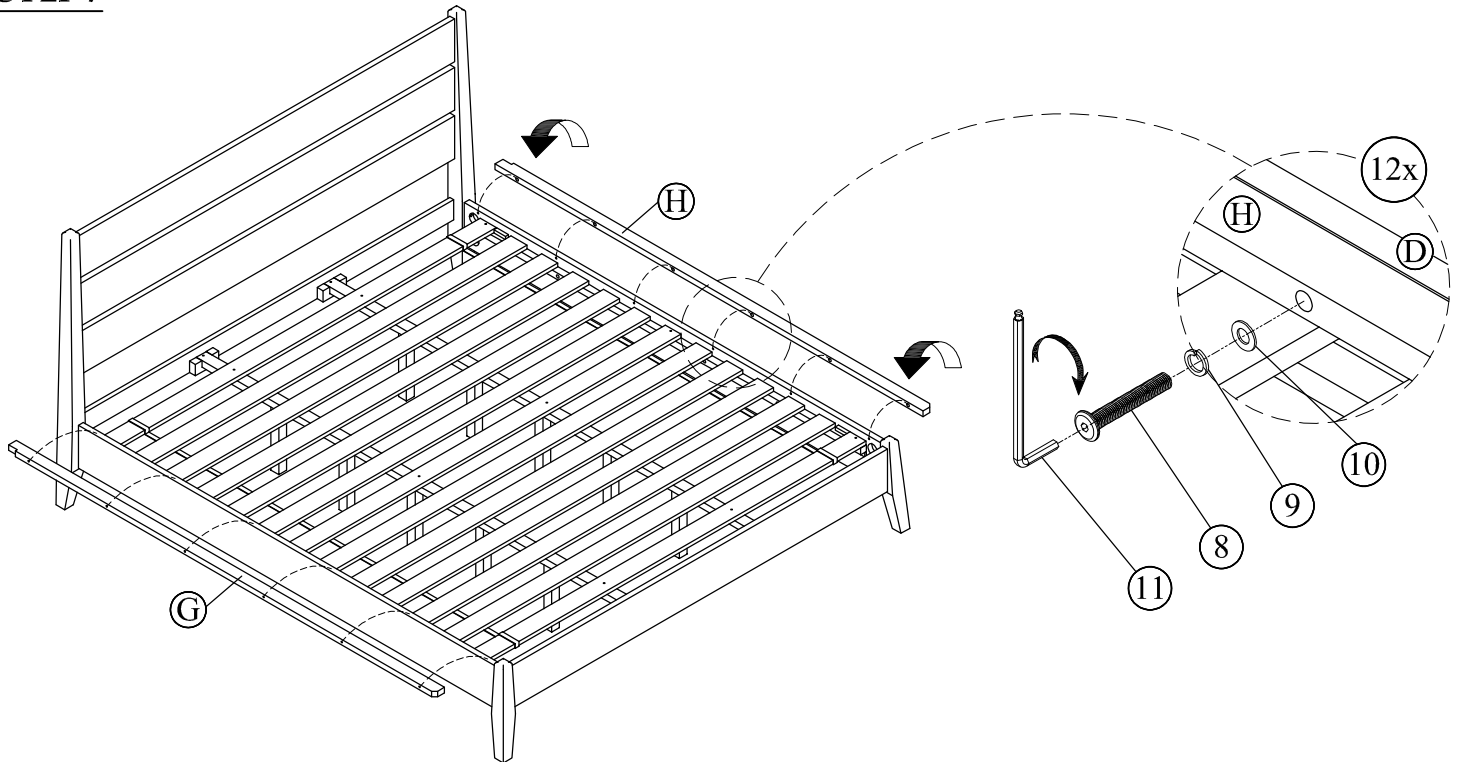


SUMIRE SPLAY CAL KING BED

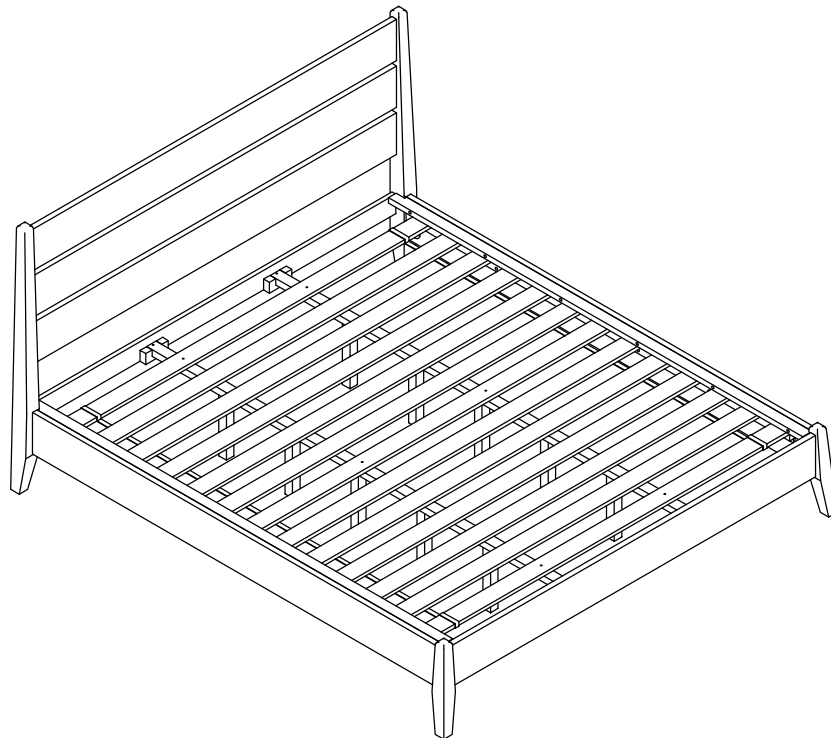
ASSEMBLY INSTRUCTIONS



STEP 7



STEP 8



ASSEMBLY COMPLETE

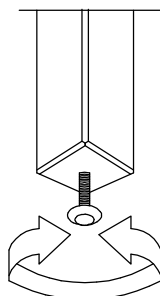
PAGE 4 OF 5

INSTRUCTIONS FOR ADJUSTING LEVELERS:

Position the bed in your space and locate the leveler under each leg support (F).

Turn the leveler counter-clockwise to extend and clockwise to retract it.

Adjust each leveler until each leg support is applying equal, upward pressure on the center slat.



MAINTENANCE INSTRUCTIONS:

- Periodically check all fittings and tighten if necessary, as they can loosen over time.
- Always remove box spring and mattress before moving the bed.
- Lift the bed when moving it. Dragging the bed can damage the center support.
- Readjust levelers after moving the bed.

SUMIRE SPLAY CAL KING BED

ASSEMBLY INSTRUCTIONS

APPENDIX A: ADJUSTABLE MATTRESS BASE ASSEMBLY SUPPLEMENT



AN ADJUSTABLE MATTRESS BASE IS A FREESTANDING MATTRESS SUPPORT THAT SITS WITHIN THE PERIMETER OF THE BED FRAME. IF USING THIS BED FRAME WITH A STANDARD BOX SPRING OR FOUNDATION THESE INSTRUCTIONS DO NOT APPLY.

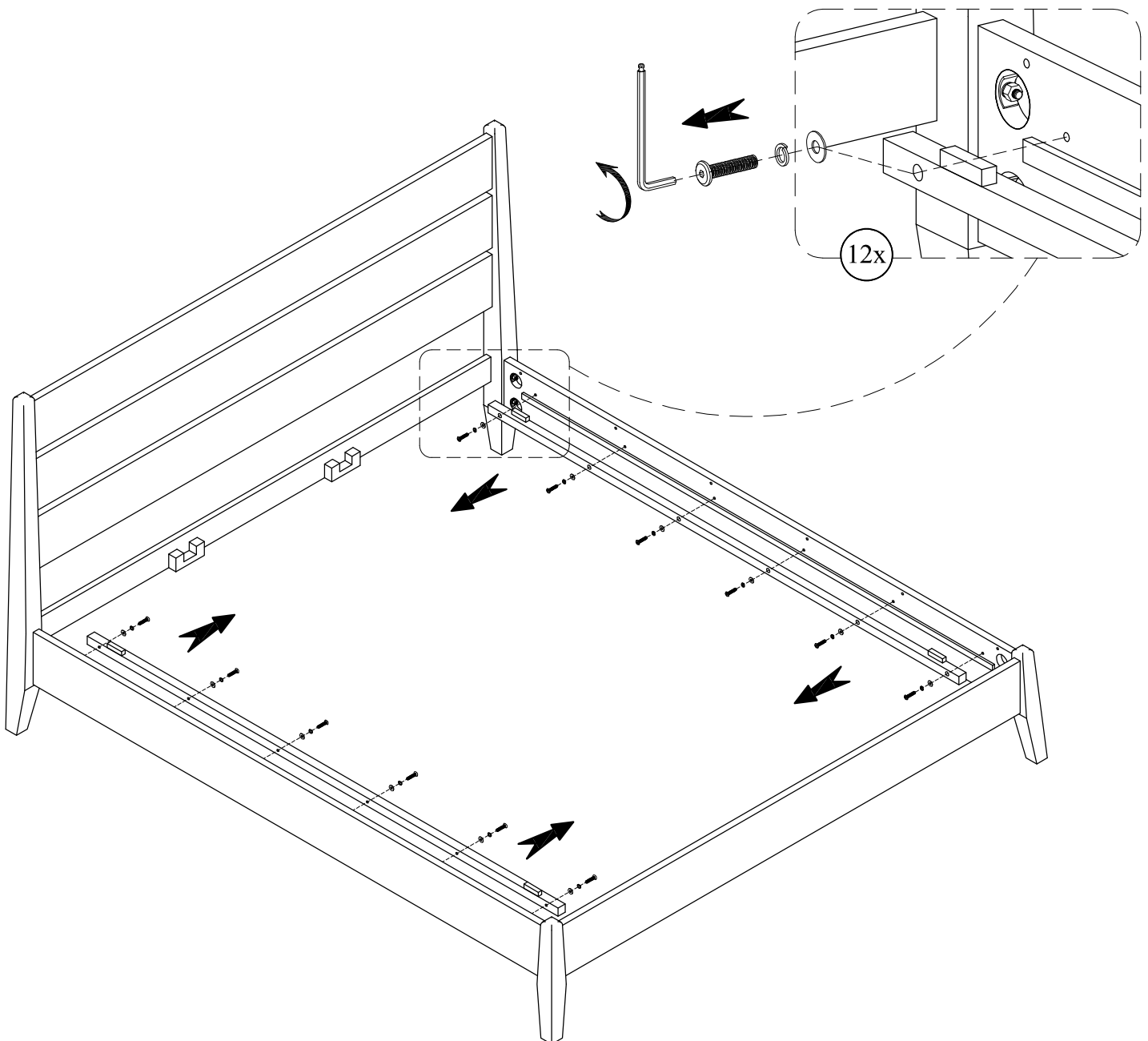
PRE-ASSEMBLED SIDE RAIL CLEATS OBSTRUCT ADJUSTABLE BASE INSTALLATION AND OPERATION. FOLLOW THESE INSTRUCTIONS TO REMOVE THEM.

THE FOLLOWING PARTS ARE NOT REQUIRED FOR ADJUSTABLE MATTRESS BASE INSTALLATION:

C. SLAT ROLL	: 1 SET	*WOOD SCREW (4x35mm)	: 4 PCS
E. CENTER SUPPORT	: 2 PCS	*WOOD SCREW (4x25mm)	: 12 PCS
F. SUPPORT LEG	: 10 PCS	*ALLEN BOLT (6x60mm)	: 12PCS
G. LEFT MATTRESS SPACER	: 1 PC	*LOCK WASHER (M9)	: 12PCS
H. RIGHT MATTRESS SPACER	: 1 PC	*FLAT WASHER (M6)	: 12PCS

STEP #1:

USE ALLEN KEY (11) TO UNSCREW ALLEN BOLTS AND REMOVE PRE-ASSEMBLED SIDE RAIL CLEATS.



NOTE: YOU MAY WISH TO RETAIN UNUSED PARTS IF IN THE FUTURE YOU INTEND TO USE THE BED FRAME WITH A STANDARD BOX SPRING OR FOUNDATION.