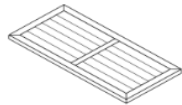
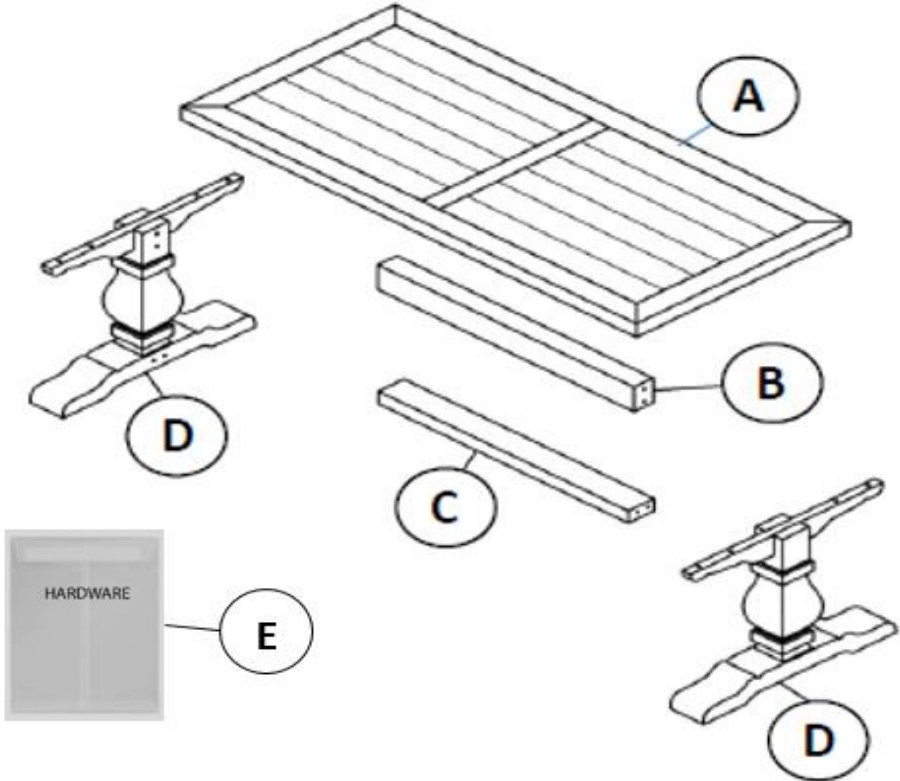
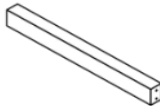
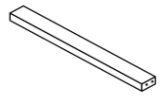
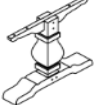

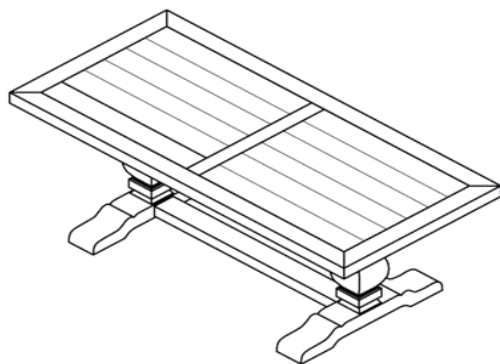


Parts and Tools

A	51030752-A		X 1	
B	51030752-B		X 1	
C	51030752-C		X 1	
D	51030752-D		X 2	
E	51030752-E E F G H		X 12 X 4 X 16 X 1	

BRENTWOOD RECTANGLE DINING TABLE

51030752



Before Starting:

1. Choose a clean, level, spacious assembly area. Avoid hard surfaces that may damage the product.
2. Always read the instructions carefully before beginning assembly to ensure that you have all required contents.
3. To prevent choking hazards, keep the packaging material out of reach of small children
4. Do not over tighten the bolts as this may damage the thread.
5. Use only vendor supplied hardware to assemble. Using unauthorized hardware could jeopardize the structural integrity of the item.
6. The use of power tools to aid in assembly is not recommended. Power tools can damage hardware and split wood.



ASSEMBLY REQUIRES
TWO PEOPLE

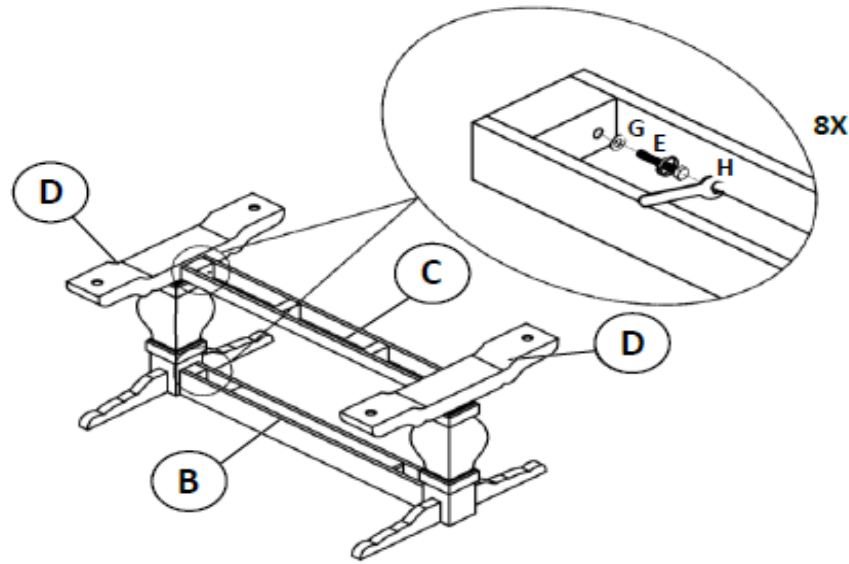


45 MINUTE
ASSEMBLY TIME



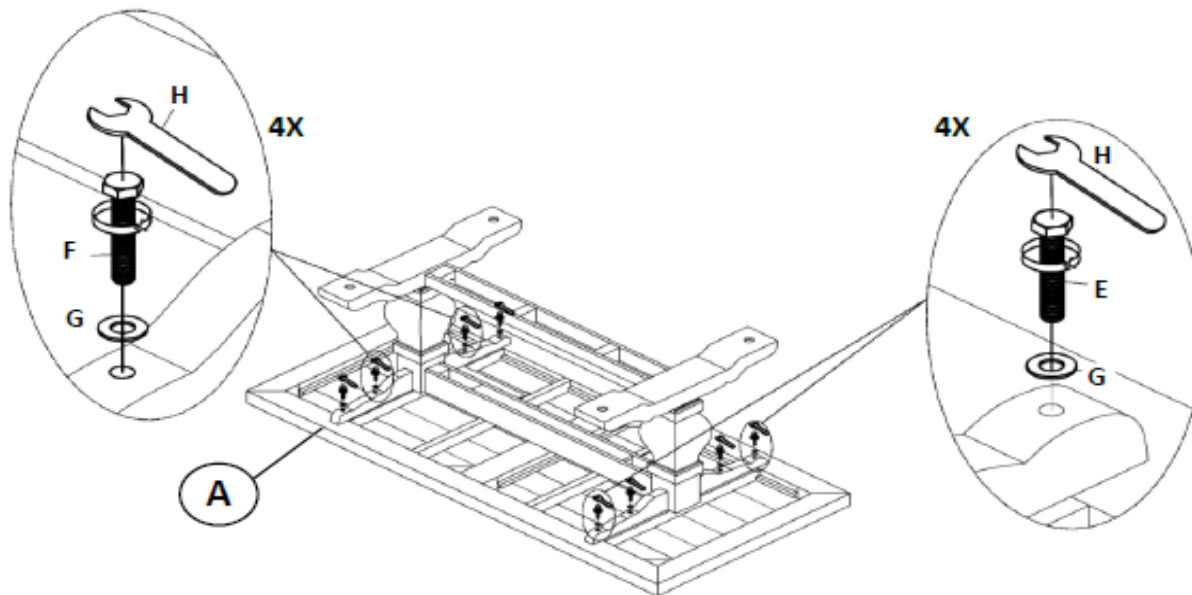
KEEP INSTRUCTIONS
FOR FUTURE USE

1



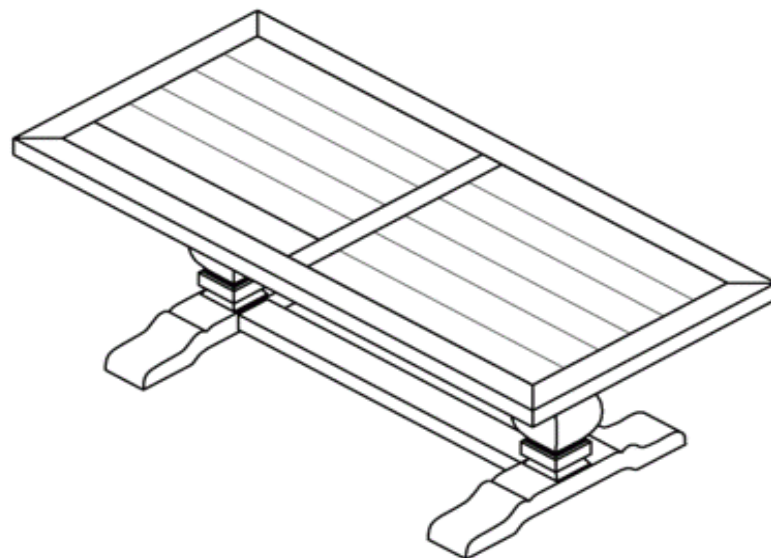
Attach the Top Support (B) and the Stretcher (C) to the Pedestal Legs (D) by using Open Wrench (H) to tighten Bolts (E) and Washers (G)

2



Assemble the whole leg into the Table Top (A) by using Open Wrench (H) to tighten Bolts (E), Bolts (F) and Washers (G)

3



Completed item