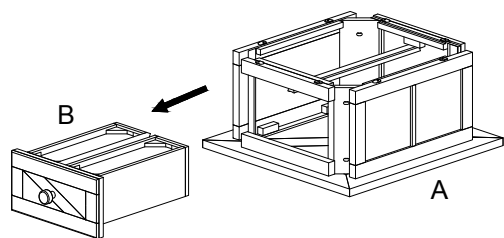
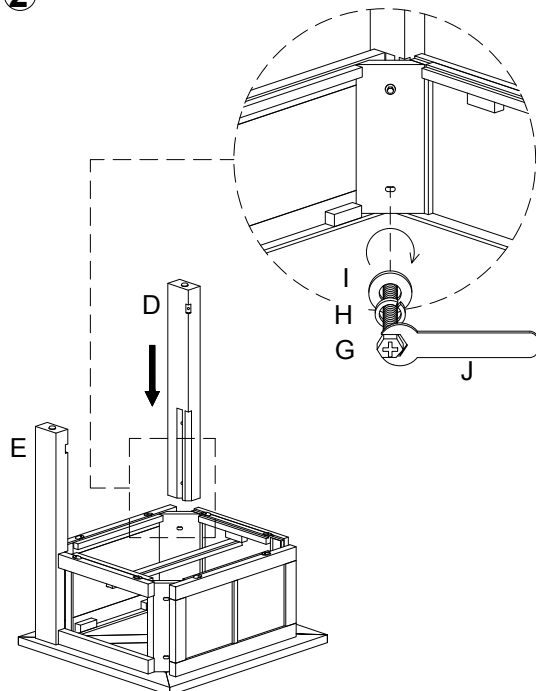


A	PT3778-03TP		X1
B	PT3778-03DW		X1
C	PT3778-03SH		X1
D	PT3778-03LG1		X2
E	PT3778-03LG2		X2
F	PT3778-03DP		X1
G	PT3778-03HD-G		X12
H	PT3778-03HD-H		X12
I	PT3778-03HD-I		X12
J	PT3778-03HD-J		X1

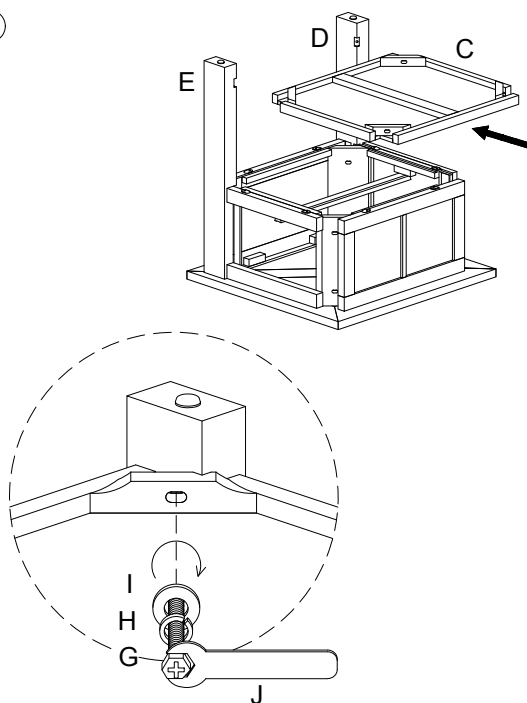
①



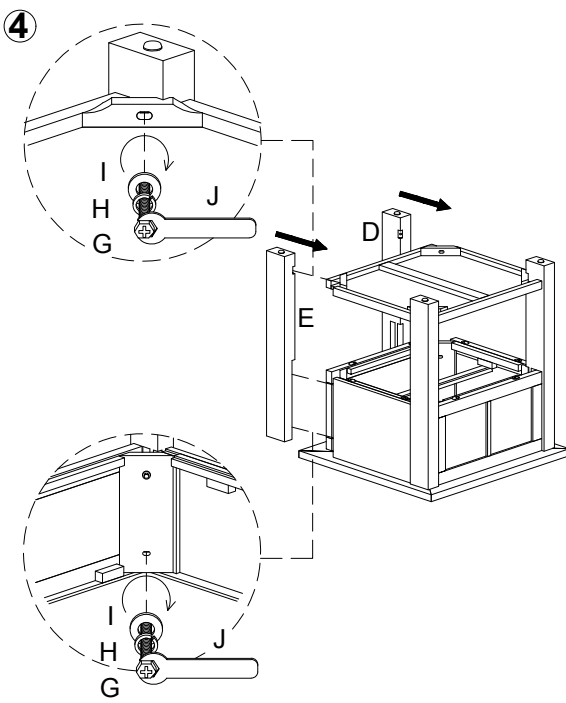
②



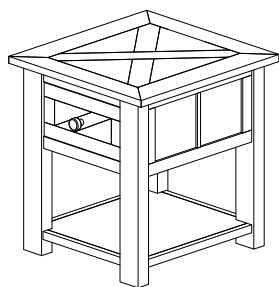
③



④

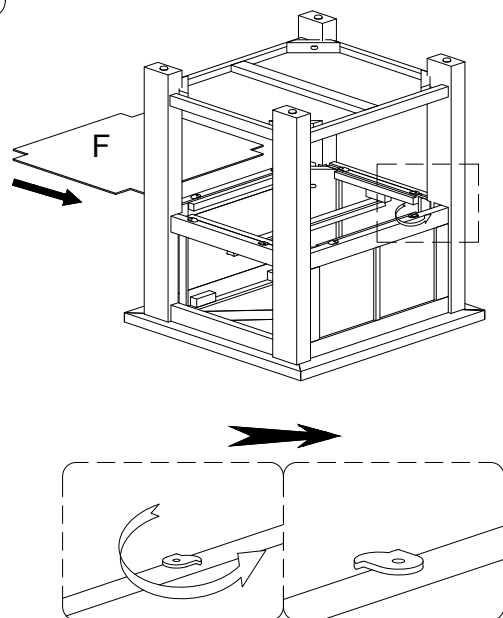


GRANT

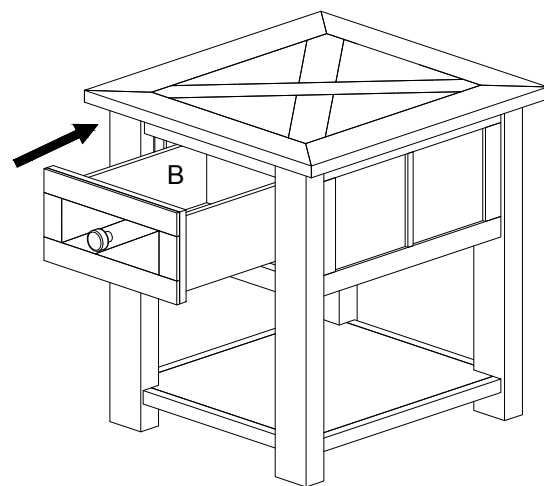


96195/T3778-03
RECTANGULAR END TABLE

⑤



⑥



Not provided