



Assembly Instructions For


BDAVEDB MADISON WHITE DAYBED TRUNDLE






Thank you for purchasing this quality product. Be sure to check all packing materials carefully for small parts, which may have come loose inside the carton during shipment. Identify and count all parts and compare with the **HARDWARE LIST** below.

Caution : Please read instructions thoroughly before unpacking assembly parts.

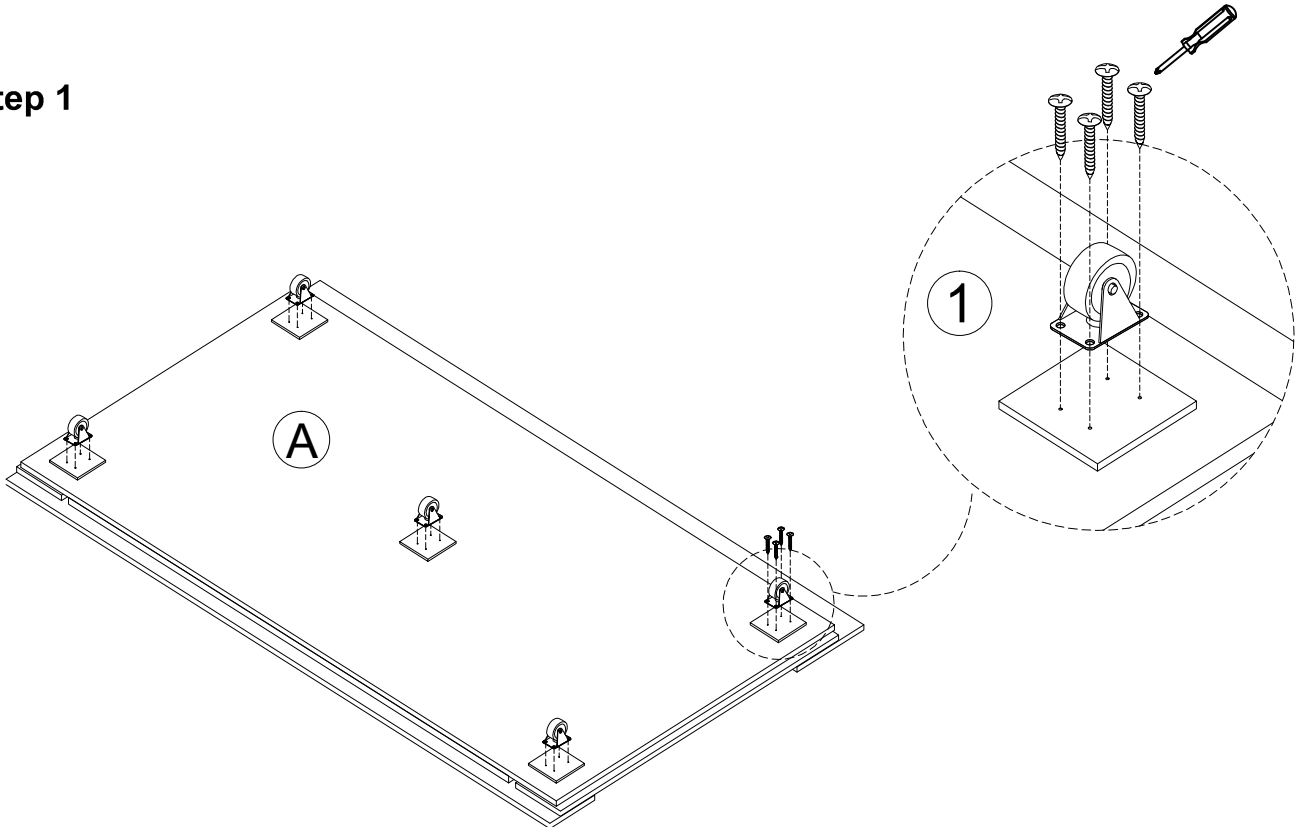
1. We recommend that you should assemble this product with the assistance of another person; this will make assembly easier, and will help to eliminate damage to the product or injury to persons during assembly.
2. Please do not over tighten screws or bolts until the assembly is completed.
3. Please put all parts on a non - abrasive floor before assembly, and follow the assembly steps to assemble your newly purchased product correctly and efficiently.

NO.	PARTS LIST		Q'TY
A		Trundle	1

TOOLS REQUIRED (NOT PROVIDED)	
PHILLIPS SCREWDRIVER	

NO.	HARDWARE LIST		Q'TY
1		Casters	5
		Screw Ø4 x 18	20
2-1		Linkers	4
2-2		Bolts Ø1/4" x 12	8
		Allen wrench 4mm	1

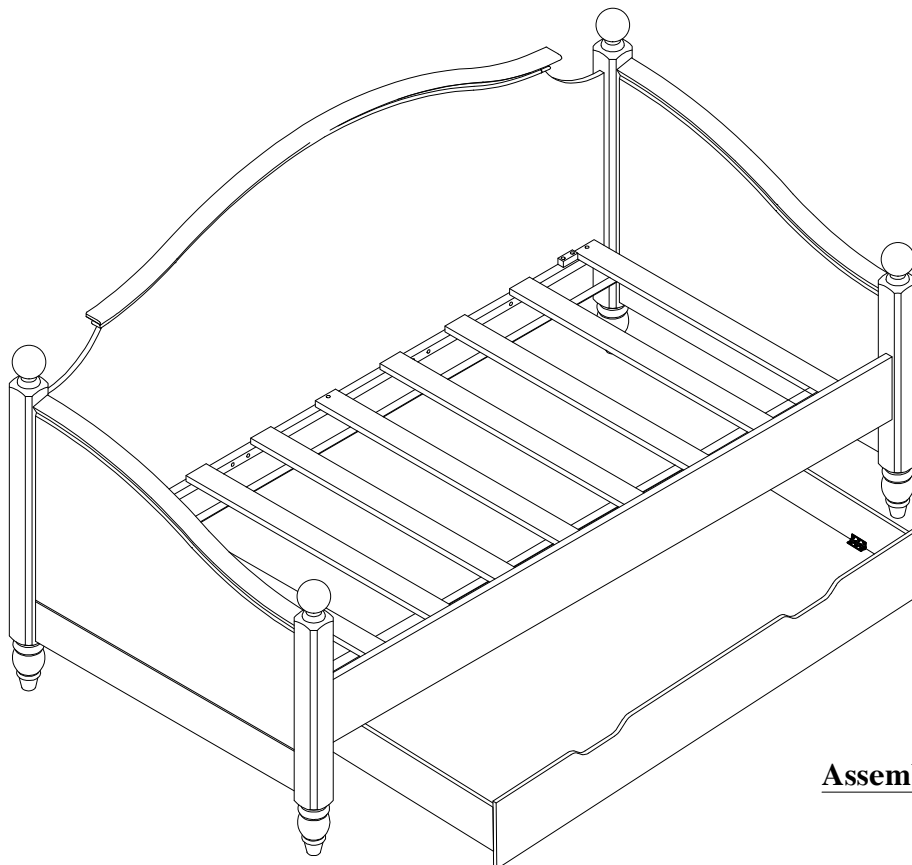
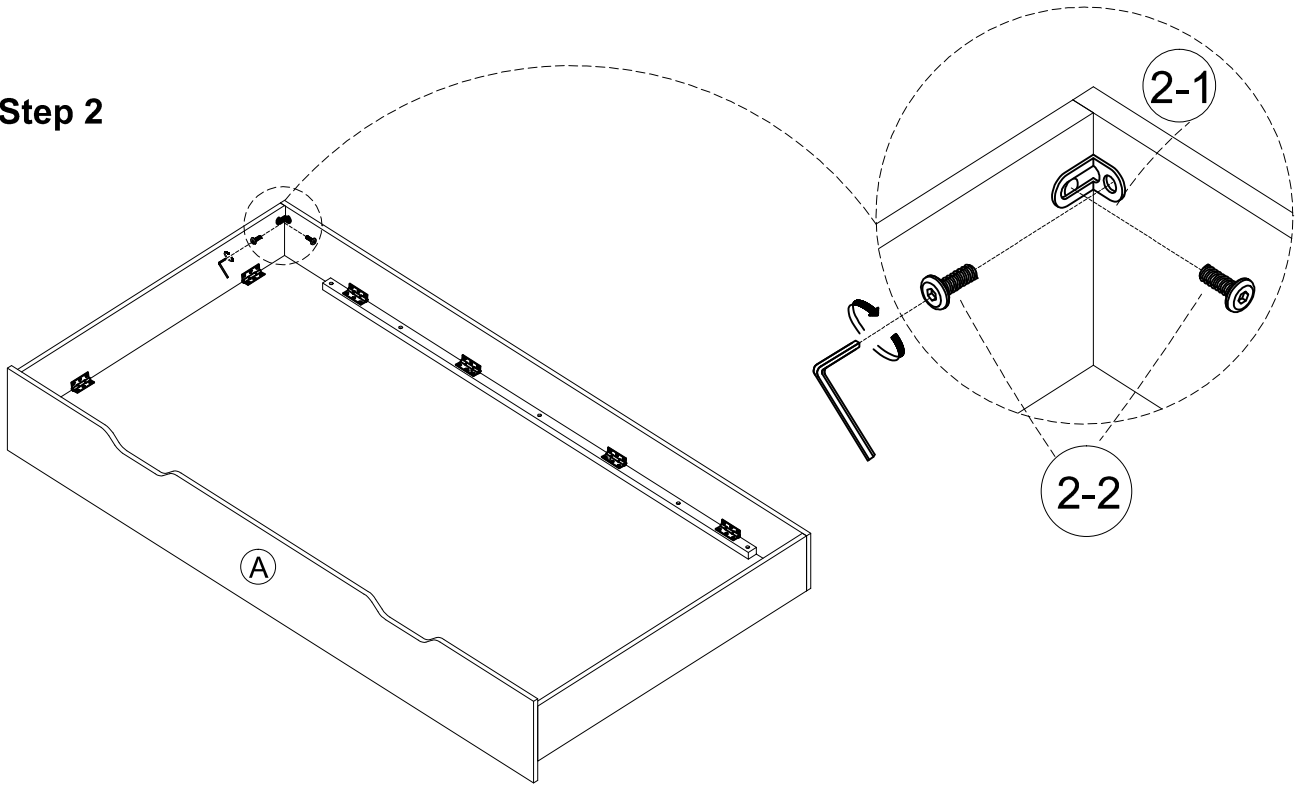
Step 1



Assembly Instructions For

BDAVEDB MADISON WHITE DAYBED TRUNDLE

Step 2



Assembly Completed