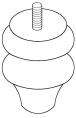
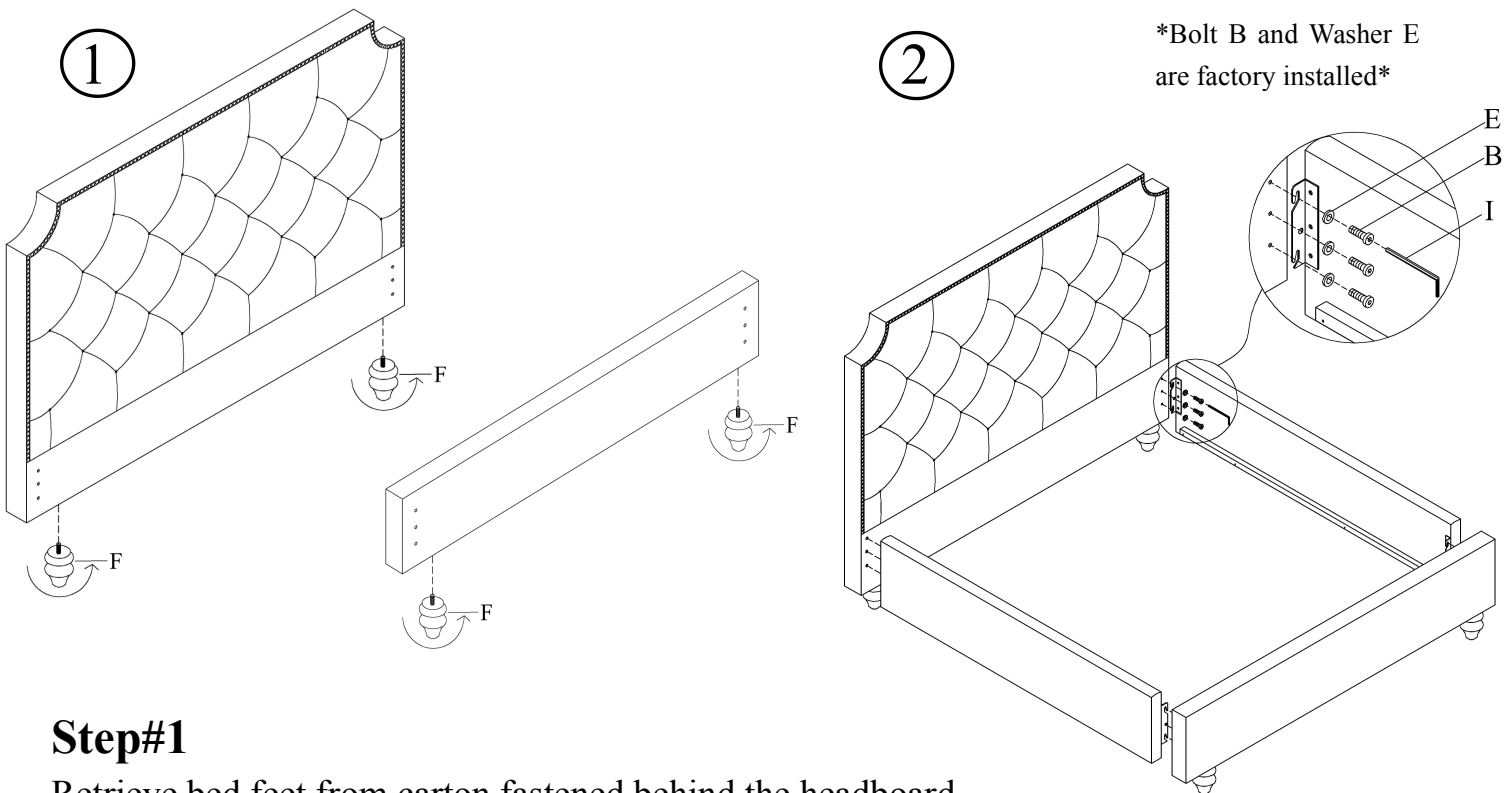


Sophia II E/C King Assembly Instructions

Bed feet are packed in headboard carton.

F

H=10CM
4PCS



Step#1

Retrieve bed feet from carton fastened behind the headboard.

Attach bed feet (F) to the headboard .

Attach bed feet (F) to the footboard .

Step#2

Attach side rails to headboard using Wrench (I), Bolt (B) and Washer (E)(factory installed).

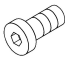




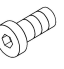
Attach side rails to footboard using Wrench (I), Bolt (B) and Washer (E)(factory installed).

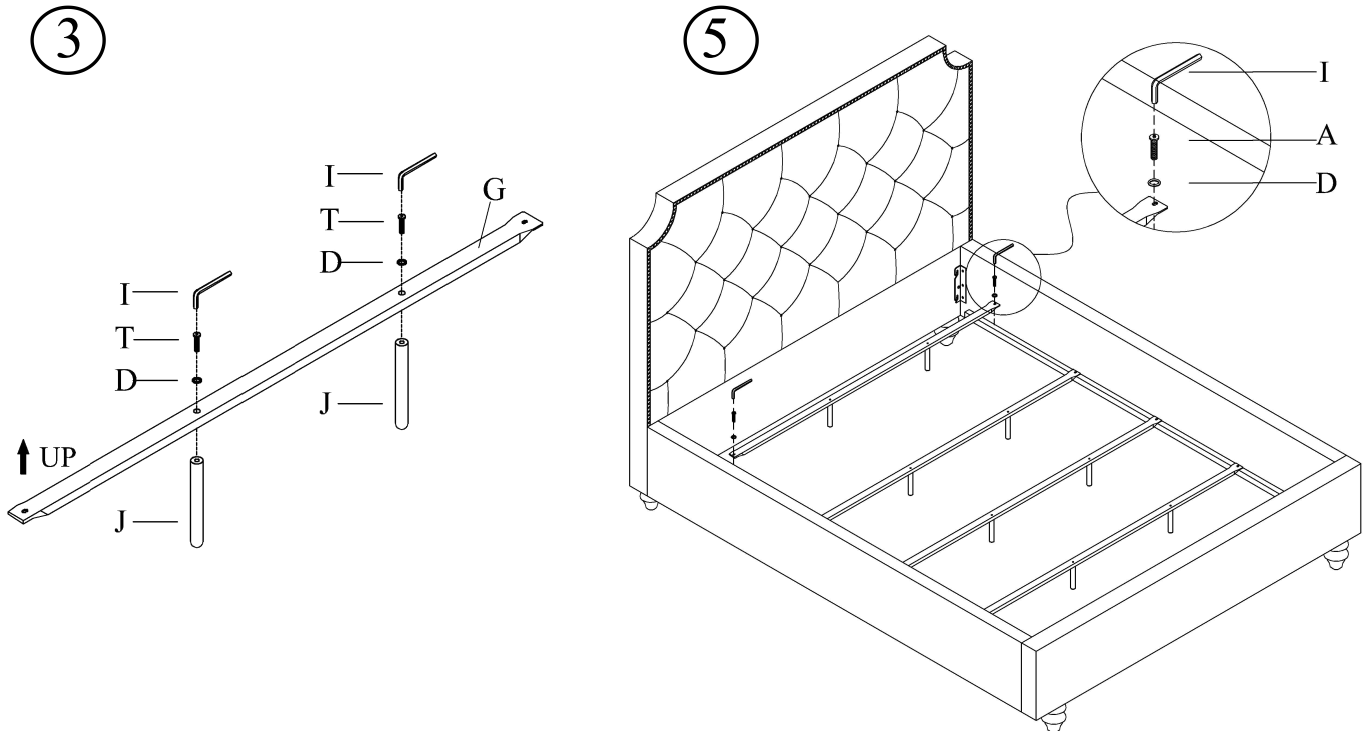
CONGRATULATIONS ON YOUR NEW BED PURCHASE

~Warning: do not move bed after final assembly as it may result in damages to floor and/or bed.~

Sophia II E/C King Assembly Instructions

Hardware included in side rails carton to attach center support system.

A	D	I	G	J	T
					
Φ6*15MM	Φ6 MM	Φ8 MM	Metal Slats	Center support legs H=16CM	Φ6*20MM
8PCS	16PCS	1PC	4PCS	8PCS	8PCS



Step#3

Attach steel center support legs (J) to the Metal slat (G) using Wrench (I), Bolt (T) and Washer (D).

Step#4

Move/place bed into final position in bedroom.

Step#5

Attach steel slat support system to full length steel side support cleats (flat side facing up). Verify the metal slats are installed properly into support cleats and center support legs are perpendicular to the floor for full support.

CONGRATULATIONS ON YOUR NEW BED PURCHASE

~Warning: do not move bed after final assembly as it may result in damages to floor and/or bed.~