

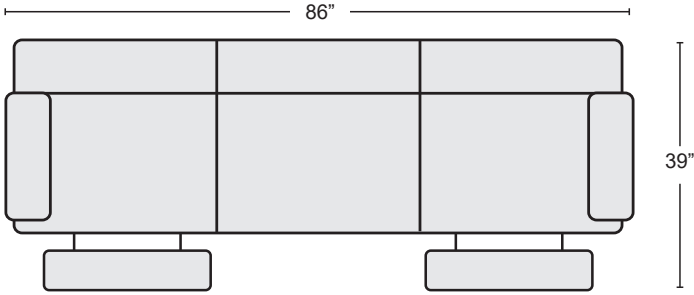
*LAST UPDATED 05/23/24

First Name: _____ Last Name: _____

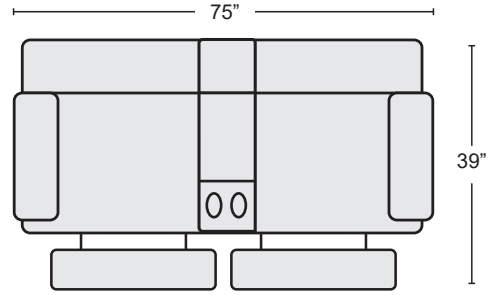
Customer Signature: _____ Date: _____

Sales Person Name: _____

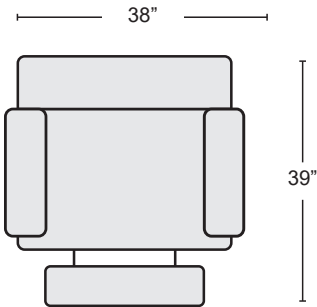
Sale Order Number: _____



STONE POWER RECLINING SOFA W/PWR HEADREST & WIRELESS CHARGING
#261567 \$1,395.00 QTY



STONE POWER RECLINING CONSOLE LOVESEAT W/ PWR HEADREST & STORAGE
#261568 \$1,350.00 QTY



STONE POWER WALLAWAY RECLINER RECLINER W/ POWER HEADREST
#261569 \$795.00 QTY